



# PY32F002B-C Datasheet

32-bit ARM<sup>®</sup> Cortex<sup>®</sup>-M0+ Microcontroller



Puya Semiconductor (Shanghai) Co., Ltd.

## Features

- Core
  - ARM® 32-bit Cortex®-M0+ CPU
  - Frequency up to 48 MHz
- Memories
  - Up to 24 KB Flash memory
  - Up to 3 KB SRAM
- Clock management
  - 24/8/4 MHz High-speed internal RC oscillator (HSI)
  - 32.768 kHz Low-speed internal RC oscillator (LSI)
  - 32.768 kHz Low-speed external crystal oscillator (LSE)
  - External clock input
- Power management and reset
  - Operating voltage: 1.7 to 5.5 V
  - Low power mode: Sleep/Stop
  - Power-on/power-down reset (POR/PDR)
  - Brown-out reset (BOR)
- General-purpose input and output (I/O)
  - Up to 18 I/Os, all available as external interrupts
- 1 x 12-bit ADC
  - Up to 8 external channels and 3 internal channels
  - Voltage reference options:  $V_{REFBUF}$ (1.5 /2.048 /2.5 V) and  $V_{CC}$
- Timers
  - 1 x 16-bit advanced-control timer (TIM1)
  - 1 x 16-bit general-purpose timer (TIM14)
  - 1 x low power timer (LPTIM), supports wake-up from Stop mode
  - 1 x independent watchdog timer (IWDG)
  - 1 x SysTick timer
- Communication interfaces
  - 1 x serial peripheral interface (SPI)
  - 1 x universal synchronous/asynchronous transceiver (USART) with automatic baud rate detection
  - 1 x I<sup>2</sup>C interface, supporting Standard mode(100 kHz), Fast mode (400 kHz), 7-bit addressing mode
- Hardware CRC-32 module
- 2 x comparators
- Unique UID
- Serial wire debug (SWD)
- Operating temp. (x6 version):-40 to 85 °C
- Operating temp. (x7 version):-40 to 105 °C
- Packages: TSSOP20, SOP16, SOP8

# Content

<b>Features</b> .....	<b>2</b>
<b>1. Introduction</b> .....	<b>5</b>
<b>2. Functional overview</b> .....	<b>8</b>
2.1. Arm®-Cortex®-M0+ core .....	8
2.2. Memories .....	8
2.3. Boot modes .....	8
2.4. Clock management .....	9
2.5. Power management .....	10
2.5.1. Power block diagram .....	10
2.5.2. Power monitoring .....	10
2.5.3. Voltage regulator .....	11
2.5.4. Low-power mode .....	11
2.6. Reset .....	11
2.6.1. Power reset .....	11
2.6.2. System reset .....	11
2.7. General-purpose inputs and outputs (GPIOs) .....	12
2.8. Interrupts and events .....	12
2.8.1. Nested vectored interrupt controller (NVIC) .....	12
2.8.2. Extended interrupt/event controller (EXTI) .....	12
2.9. Analog-to-digital converter (ADC) .....	13
2.10. Comparators (COMP) .....	13
2.10.1. COMP main features .....	13
2.11. Timers .....	14
2.11.1. Advanced-control timer (TIM1) .....	14
2.11.2. General-purpose timer (TIM14) .....	14
2.11.3. Low power timer .....	14
2.11.4. IWDG .....	14
2.11.5. SysTick timer .....	15
2.12. Inter-integrated circuit interface (I <sup>2</sup> C) .....	15
2.13. Universal synchronous/asynchronous receiver transmitter (USART) .....	16
2.14. Serial peripheral interface (SPI) .....	17
2.15. SWD .....	17
<b>3. Pinouts and pin descriptions</b> .....	<b>18</b>
3.1. Alternate functions selected through GPIOA_AFR registers for port A .....	23
3.2. Alternate functions selected through GPIOB_AFR registers for port B .....	23
3.3. Alternate functions selected through GPIOC_AFR registers for port C .....	24
<b>4. Memory mapping</b> .....	<b>25</b>
<b>5. Electrical characteristics</b> .....	<b>28</b>
5.1. Parameter conditions .....	28

5.1.1.	Minimum and maximum values.....	28
5.1.2.	Typical values.....	28
5.1.3.	Power supply scheme .....	28
5.2.	Absolute maximum ratings.....	29
5.3.	Operating conditions .....	29
5.3.1.	General operating conditions .....	29
5.3.2.	Operating conditions at power-on / power-down.....	30
5.3.3.	Embedded reset .....	30
5.3.4.	Supply current characteristics .....	31
5.3.5.	Wake-up time from low-power mode.....	33
5.3.6.	External clock source characteristics .....	33
5.3.7.	High-speed internal (HSI) RC oscillator .....	35
5.3.8.	Low-speed internal (LSI) RC oscillator .....	35
5.3.9.	Memory characteristics .....	36
5.3.10.	EFT characteristics.....	36
5.3.11.	ESD & LU characteristics .....	36
5.3.12.	Port characteristics .....	36
5.3.13.	ADC characteristics .....	38
5.3.14.	Comparator characteristics .....	39
5.3.15.	Temperature sensor characteristics.....	40
5.3.16.	Embedded internal voltage reference( $V_{REFINT}$ ) characteristics.....	40
5.3.17.	Internal voltage reference buffer ( $V_{REFBUF}$ ) characteristics.....	40
5.3.18.	COMP voltage reference buffer characteristics .....	40
5.3.19.	Timer characteristics .....	41
5.3.20.	Communication interfaces.....	41
<b>6.</b>	<b>Package information .....</b>	<b>45</b>
6.1.	TSSOP20 package size.....	45
6.2.	SOP16 package size.....	46
6.3.	SOP8 package size.....	47
<b>7.</b>	<b>Ordering information.....</b>	<b>48</b>
<b>8.</b>	<b>Version history.....</b>	<b>49</b>

# 1. Introduction

The PY32F002B-C incorporates the high-performance ARM® 32-bit Cortex®-M0+ core operating at up to 48 MHz frequency, embedded memories with up to 24 KB Flash and 3 KB SRAM, and is available in multiple package options. The PY32F002B-C integrates I<sup>2</sup>C, SPI, USART and other communication peripherals, one 12-bit ADC, two 16-bit timers, and two comparators.

The PY32F002B-C operates in the -40 to 85°C or -40 to 105 °C temperature ranges from a 1.7 to 5.5 V power supply, and provides Sleep and Stop low power operating modes, which can meet different low-power applications.

These features make the PY32F002B-C suitable for a wide range of applications such as controllers, portable devices, PC peripherals, gaming and GPS platforms, as well as industrial applications.

Table 1-1 PY32F002B-C x6 series product features and peripheral count

Peripherals		PY32F002BF15P6-C	PY32F002BL15S6-C
Flash (KB)		24	24
SRAM (KB)		3	3
Timers	Advanced-control (TIM1)	1 (16-bit)	
	General-purpose(TIM14)	1 (16-bit)	
	Low power	1	
	SysTick	1	
	Watchdog	1	
Comm. interfaces	SPI	1	
	I <sup>2</sup> C	1	
	USART	1	
GPIOs		18	6
ADC (external + internal)		8+3	6+3
Comparators		2	1
Max. CPU frequency		48 MHz	
Operating temperature		-40 to 85 °C	
Operating voltage		1.7 to 5.5 V	
Packages		TSSOP20	SOP8

Table 1-2 PY32F002B-C x7 series product features and peripheral counts

Peripherals		PY32F002BW15S7-C
Flash (KB)		24
SRAM (KB)		3
Timers	Advanced-control (TIM1)	1 (16-bit)
	General-purpose(TIM14)	1 (16-bit)
	Low power	1
	SysTick	1
	Watchdog	1
Comm. interfaces	SPI	1
	I <sup>2</sup> C	1
	USART	1
GPIOs		14
ADC (external + internal)		7+3
Comparators		1
Max. CPU frequency		48 MHz
Operating temperature		-40 to 105 °C
Operating voltage		1.7 to 5.5 V
Packages		SOP16

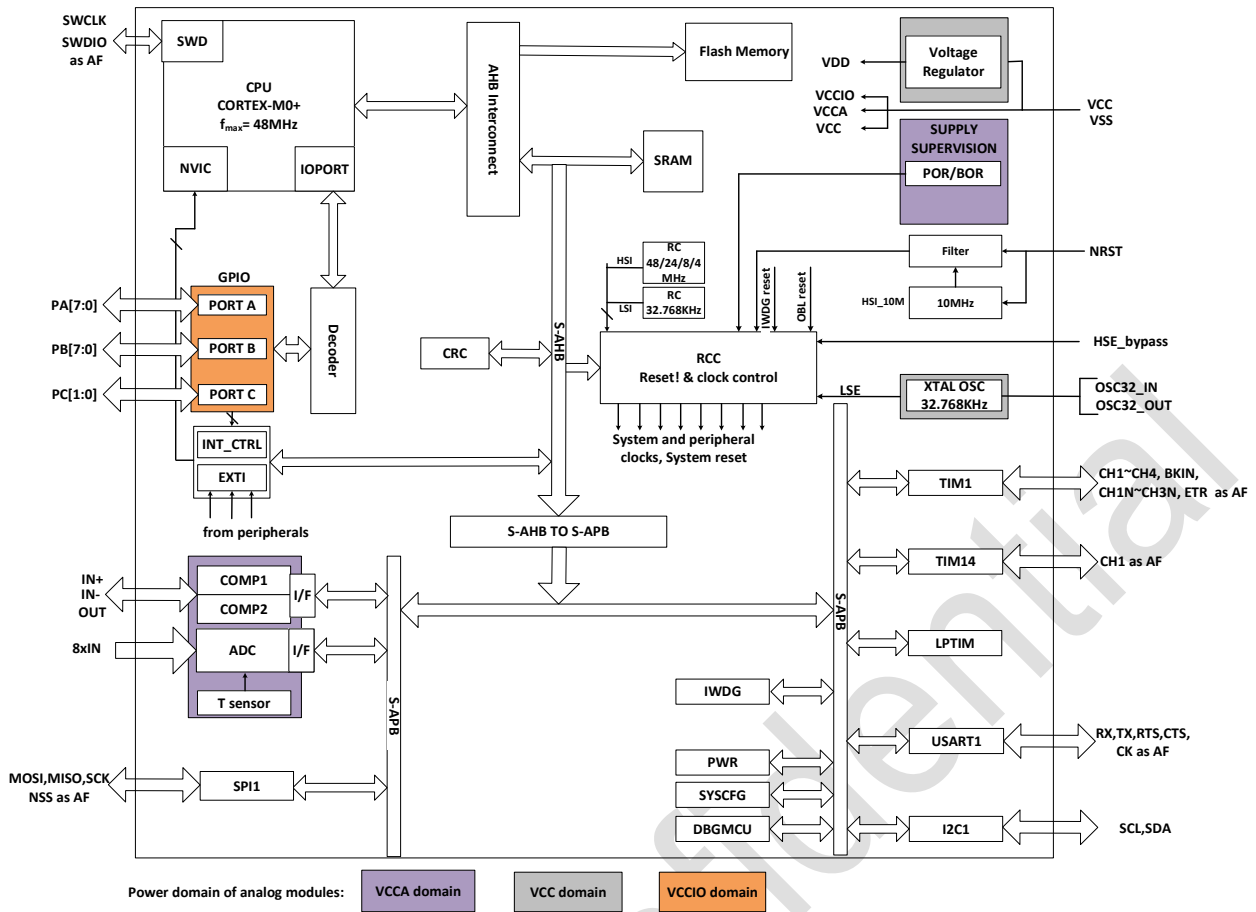


Figure 1-1 System block diagram

## 2. Functional overview

### 2.1. Arm®-Cortex®-M0+ core

The Arm® Cortex® -M0+ is an Arm 32-bit Cortex processor designed for embedded applications. It provides developers with significant benefits, including:

- Simple architecture for easy learning and programming
- Ultra-low power consumption for energy-efficient operation
- Reduced code density

The Arm® Cortex-M0+ processor is a 32-bit core optimized for area and power consumption and is a 2-stage pipeline Von Neumann architecture. It delivers high performance through a streamlined instruction set and hardware enhancements like a single-cycle multiplier. Outperforms 8/16-bit MCUs in code efficiency.

The Cortex-M0+ is tightly coupled with a Nested Vectored Interrupt Controller (NVIC).

### 2.2. Memories

Embedded SRAM is accessed by byte (8 bits), half-word (16 bits) or word (32 bits).

The Flash memory is composed of two distinct physical areas:

- 24 KB of Main flash area for user programs and data. In addition, a maximum of 4 KB Load flash can be set as a user boot loader according to customer configuration.
- 768 Bytes of Information area:
  - Option bytes
  - UID bytes
  - Factory configuration bytes
  - USER OTP memory

The protection of Main flash area includes the following mechanisms:

- Write protection (WRP) prevents unintended writes (caused by confusion of program). The minimum protection unit for write protection is 4 KB.
- Option byte write protection is a special design for unlock.
- SDK (Software design kit) protection is used to protect the access of specific program areas.

### 2.3. Boot modes

At startup, the nBOOT0 pin and nBOOT1 (stored in option bytes) are used to select one of the three boot options in the following table:

Table 2-1 Boot configuration

Boot mode configuration		Mode	
nBOOT1 bit	nBOOT0 bit	Boot memory size == 0	Boot memory size != 0
X	0	Boot from Main flash	Boot from Main flash
0	1	Boot from SRAM	Boot from SRAM
1	1	N/A	Boot from Load flash



## 2.4. Clock management

System clock selection is performed on startup, however the internal RC 24 MHz oscillator is selected as default CPU clock on reset. After the program is operating the system clock frequency and system clock source can be reconfigured. The frequency clocks that can be selected are:

- A 48/24/8/4 MHz configurable internal high precision HSI clock
- A 32.768 kHz configurable LSI clock
- A 32.768 kHz LSE clock.

The AHB clock can be divided based on the system clock, and the APB clock can be divided based on the AHB clock. The maximum frequency of the AHB and the APB domains is 48 MHz.

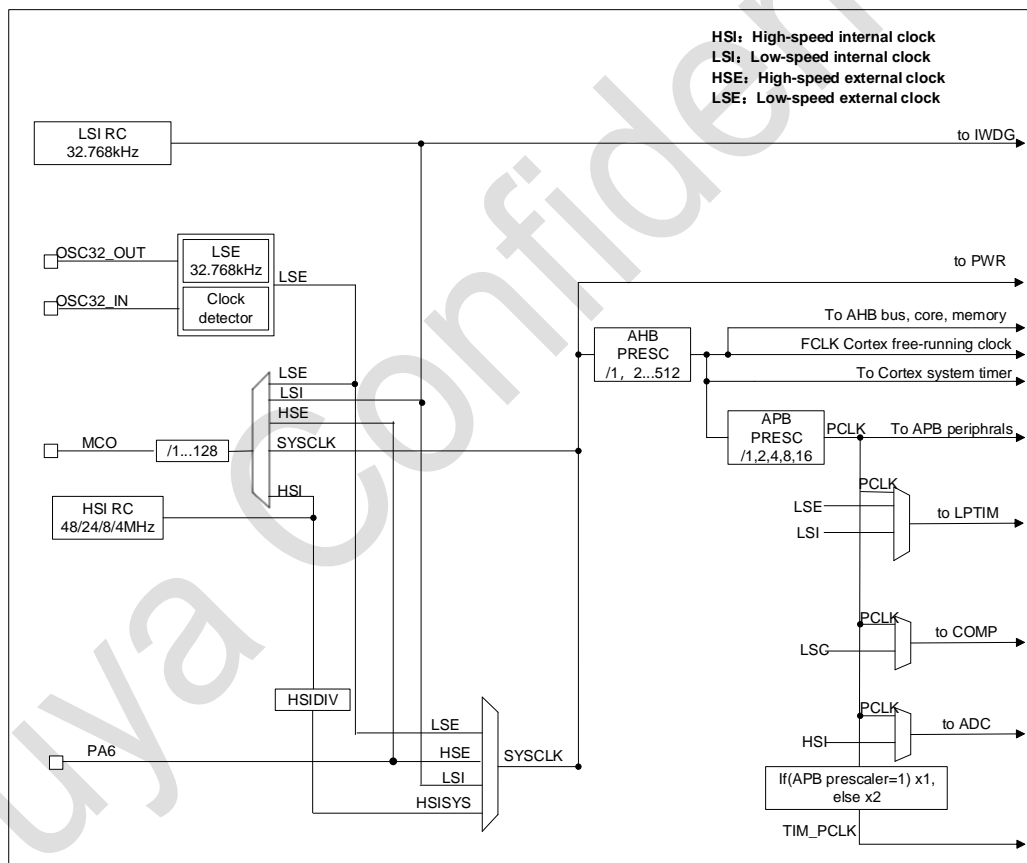


Figure 2-1 System clock structure diagram

## 2.5. Power management

### 2.5.1. Power block diagram

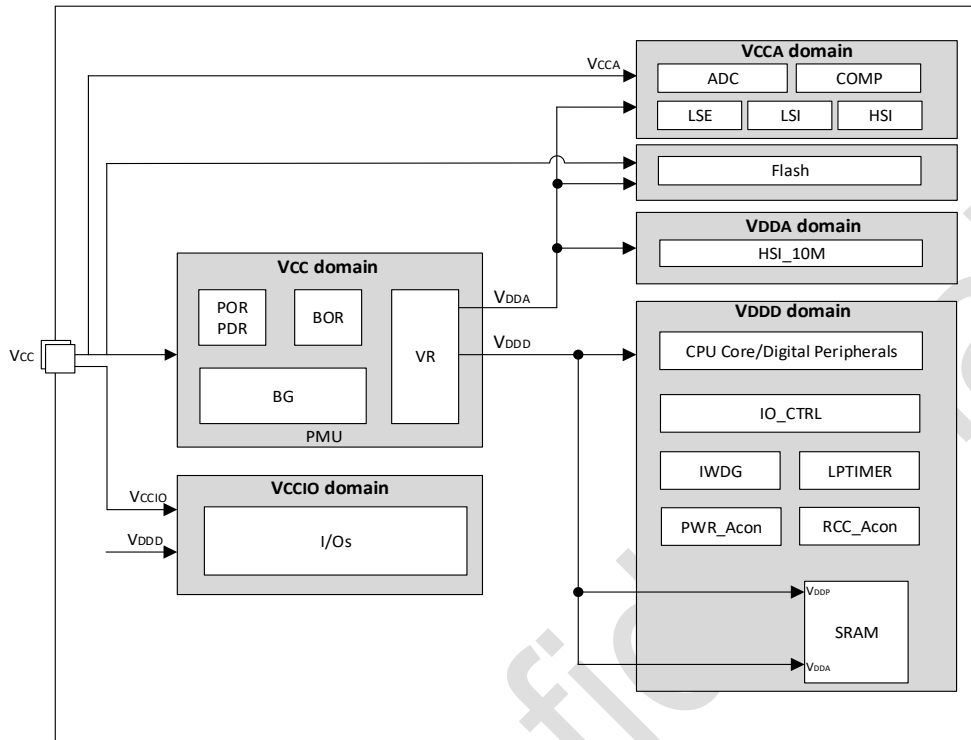


Figure 2-2 Power block diagram

Table 2-2 Power block diagram

No.	Power supply	Power value	Descriptions
1	V <sub>CC</sub>	1.7 to 5.5 V	The power is supplied to the chip through the power pins, with the power supply module comprising: Partial analog circuits
2	V <sub>CCA</sub>	1.7 to 5.5 V	Powers for most analog modules, sourced from the V <sub>CC</sub> PAD (a dedicated power PAD can also be designed separately).
3	V <sub>CCIO</sub>	1.7 to 5.5 V	Power to IO from V <sub>CC</sub> PAD

### 2.5.2. Power monitoring

#### 2.5.2.1. Power-on reset /power-down reset(POR/PDR)

The Power-on reset (POR) and Power-down reset (PDR) module is designed in the chip to provide power-on and power-down reset for the chip. The module keeps working in all modes.

#### 2.5.2.2. Brown-out reset (BOR)

In addition to POR/ PDR, BOR (Brown-out reset) is also implemented. BOR can only be enabled and disabled through the option byte.

When the BOR is turned on, the BOR threshold can be selected by the option byte and both the rising and falling detection points can be individually configured.

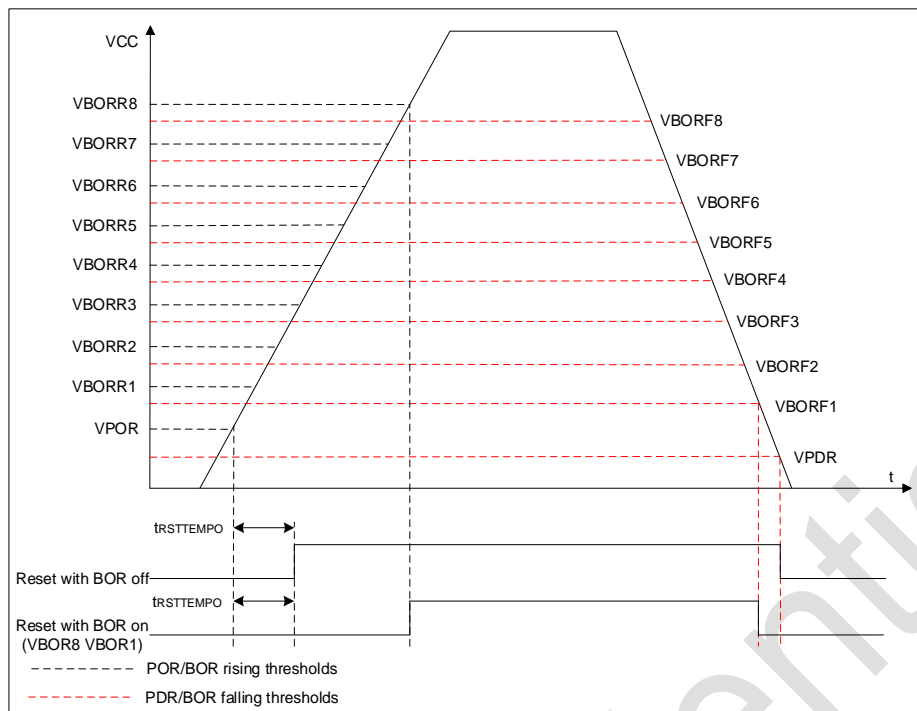


Figure2-3 POR/PDR/BOR threshold

### 2.5.3. Voltage regulator

The regulator has two operating modes:

- MR (Main regulator) is used in normal operating mode (Run).
- LPR (Low power regulator) provides an option for even lower power consumption in Stop mode.

### 2.5.4. Low-power mode

In addition to the normal operating mode, the chip has two low-power modes:

- **Sleep mode:** Peripherals can be configured to keep working when the CPU clock is off (NVIC, SysTick, etc.). It is recommended only to enable the modules that must work, and close the module after the module works.
- **Stop mode:** The contents of SRAM and registers are maintained and HSI is turned off. GPIO, IWDG, NRST and LPTIM can wake up Stop mode.

## 2.6. Reset

Two resets are designed in the chip: power reset and system reset.

### 2.6.1. Power reset

A power reset occurs in the following situations:

- Power-on/power-down reset (POR/PDR)
- Brown-out reset (BOR)

### 2.6.2. System reset

A system reset occurs when the following events occur:

- Reset of NRST pin
- Independent watchdog reset (IWDG)

- SYSRESETREQ software reset
- Option byte load (OBL) reset

## 2.7. General-purpose inputs and outputs (GPIOs)

Each of the GPIO pins can be configured by software as output (push-pull or open-drain), as input (floating, pull-up/down, analog) or as peripheral alternate function. The I/O configuration can be locked if needed following a specific sequence in order to avoid spurious writing to the I/Os registers.

## 2.8. Interrupts and events

The PY32F002B-C handles exceptions through the Cortex-M0+ processor's embedded a nested vectored interrupt controller (NVIC) and an extended interrupt/event controller (EXTI).

### 2.8.1. Nested vectored interrupt controller (NVIC)

NVIC is a tightly coupled IP inside the Cortex-M0+ processor. The NVIC can handle NMI (Non-Maskable Interrupts) and maskable external interrupts from outside the processor and Cortex-M0+ internal exceptions. NVIC provides flexible priority management.

The tight coupling of the processor core to the NVIC greatly reduces the delay between an interrupt event and the initiation of the corresponding interrupt service routine (ISR). The ISR vectors are listed in a vector table, stored at a base address of the NVIC. The vector table base address determines the vector address of the ISR to execute, and the ISR is used as the offset composed of serial numbers.

If a higher-priority interrupt event occurs and a lower-priority interrupt event is just waiting to be serviced, the later-arriving higher-priority interrupt event will be serviced first. Another optimization is called tail-chaining. When returning from a higher-priority ISR and then starting a pending lower-priority ISR, unnecessary pushes and pops of processor contexts will be skipped. This reduces latency and improves power efficiency.

NVIC features:

- Low latency interrupt handling
- Level 4 interrupt priority
- Support 1 NMI
- Support 13 maskable external interrupts
- Support 6 Cortex-M0+ exceptions
- High-priority interrupts can interrupt low-priority interrupt responses
- Support tail-chaining optimization
- Hardware interrupt vector retrieval

### 2.8.2. Extended interrupt/event controller (EXTI)

EXTI adds flexibility to handle physical wire events and generates wake-up events when the processor wakes up from Stop mode.

The EXTI controller has multiple channels, including up to 18 GPIOs can be connected to the 8 EXTI lines, 2 COMP outputs, and a LPTIM wake-up signals. GPIO and COMP can be configured to be

triggered by a rising edge, falling edge or double edge. Any GPIO signal can be configured as EXTI0 to 7 channel through the select signal.

Each EXTI line can be independently masked through registers.

The EXTI controller can capture pulses shorter than the internal clock period.

Registers in the EXTI controller latch each event. Even in Stop mode, after the processor wakes up from Stop mode, it can identify the wake-up source or identify the GPIO and event that caused the interrupt.

## 2.9. Analog-to-digital converter (ADC)

The PY32F002B-C has a 12-bit SAR-ADC. The module has a total of up to 11 channels to be measured, including 8 external and 3 internal channels.

The ADC internal voltage reference:  $V_{REFBUF}$  (1.5 V, 2.048 V, 2.5 V) or the power supply voltage  $V_{CC}$ .

The internal channels are:  $T_{S\_VIN}$ ,  $V_{REFINT}$ ,  $V_{CC}/3$ .

A/D conversion of the various channels can be performed in single, continuous, scan or discontinuous mode. The result of the ADC is stored in a left-aligned or right-aligned 16-bit data register.

The analog watchdog feature allows the application to detect if the input voltage goes outside the user-defined higher or lower thresholds.

An efficient low-power mode is implemented to allow very low consumption at low frequency.

Analog watchdog for automatic voltage monitoring, generating interrupts and trigger for selected timers.

## 2.10. Comparators (COMP)

General purpose comparators are integrated, which can be used in combination with Timers. Comparators can be used as:

- Triggered by analog signal to wake-up function from low-power mode
- Analog signal conditioning
- Cycle by cycle current control loop when comparators are connected with PWM output from timer.

### 2.10.1. COMP main features

- Each comparator has configurable positive or negative input for flexible voltage selection:
  - Multiple I/O pins
  - Power supply  $V_{CC}$  and 15 submultiple values (1/16, 2/16... 15/16) provided by voltage divider
  - The internal voltage reference buffer (1.5 V, 2.048 V, 2.5 V) and 15 submultiple values (1/16, 2/16... 15/16) provided by voltage divider
- The output can be triggered by a connection to the I/O or timer input
  - OCREF\_CLR event (cycle by cycle current control)
  - Brakes for fast PWM shutdown

## 2.11. Timers

The different timers feature as blow:

Table 2-3 Timer characteristics

Timer type	Timers	Counter resolution	Counter type	Prescaler	Capture/com- pare channels	Complemen- tary outputs
Advanced-control	TIM1	16-bit	up,down, up/down	1 - 65536	4	3
General-purpose	TIM14	16-bit	up	1 - 65536	1	-

### 2.11.1. Advanced-control timer (TIM1)

The advanced-control timer (TIM1) is consist of a 16-bit auto-reload counter driven by a programmable prescaler. It can be used in various scenarios, including pulse length measurement of input signals (input capture) or generating output waveforms (output compare, output PWM, complementary PWM with dead-time insertion).

The four independent channels can be used for:

- Input capture
- Output compare
- PWM generation (edge or center-aligned mode)
- Single pulse mode output

If configured as a standard 16-bit timer, it has the same features as the TIMx timer. If configured as the 16-bit PWM generator, it has full modulation capability (0 - 100%).

The counter can be frozen in debug mode.

Many features are shared with those of the standard timers which have the same architecture. The advanced control timer can therefore work together with the other timers by the Timer Link feature for synchronization or event chaining.

### 2.11.2. General-purpose timer (TIM14)

- The general-purpose timer TIM14 is consist of a 16-bit auto-reload counter driven by a programmable prescaler.
- TIM14 features two single channel for input capture/output compare, PWM or one-pulse mode output.
- The counter can be frozen in debug mode.

### 2.11.3. Low power timer

- LPTIM is a 16 -bit upcounter with a 3-bit prescaler and support a single count.
- LPTIM can be configured as a Stop mode wake-up source.
- The counter can be frozen in debug mode.

### 2.11.4. IWDG

The Independent watchdog (IWDG) is integrated in the chip, and this module has the characteristics of high-security level, accurate timing and flexible use. IWDG finds and resolves functional confusion

due to software failure and triggers a system reset when the counter reaches the specified timeout value.

- The IWDG is clocked by LSI, so even if the main clock fails, it can keep working.
- IWDG is the best suited for applications that require the watchdog as a standalone process outside of the main application and do not have high timing accuracy constraints.
- Controlling of option byte can enable IWDG hardware mode.
- IWDG is the wake-up source of Stop mode, which wakes up Stop mode by reset.
- The counter can be frozen in debug mode.

### 2.11.5. SysTick timer

This timer is dedicated to real-time operating systems (RTOS), but could also be used as a standard down counter.

SysTick features:

- A 24-bit down counter
- Auto-reload capability
- Maskable system interrupt generation when the counter reaches 0

## 2.12. Inter-integrated circuit interface (I<sup>2</sup>C)

The I<sup>2</sup>C (Inter-integrated circuit) bus interface handles communications between the microcontroller and the serial I<sup>2</sup>C bus. It provides multimaster capability, and controls all I<sup>2</sup>C bus-specific sequencing, protocol, arbitration and timing. It supports Standard-mode (Sm) and Fast-mode (Fm).

I<sup>2</sup>C features:

- Multimaster capability: can be Master or Slave
- Support different communication speeds
  - Standard mode (Sm): up to 100 kHz
  - Fast mode (Fm): up to 400 kHz
- As master
  - Generate clock
  - Generation of start and stop
- As slave
  - Programmable I<sup>2</sup>C address detection
  - Discovery of the STOP bit
- 7-bit addressing mode
- General call
- Status flag
  - Transmit/receive mode flags
  - Byte transfer complete flag
  - I<sup>2</sup>C busy flag bit
- Error flag
  - Master arbitration loss

- ACK failure after address/data transfer
- Start/Stop error
- Overrun/underrun (clock stretching function disable)
- Optional clock stretching
- Software reset
- Analog noise filter function

## 2.13. Universal synchronous/asynchronous receiver transmitter (USART)

The USART provide a flexible method for full-duplex data exchange with external devices using the industry-standard NRZ asynchronous serial data format. The USART utilizes a fractional baud rate generator to provide a wide range of baud rate options.

It supports simultaneous one-way communication and half-duplex single-wire communication, and it also allows multi-processor communication.

Automatic baud rate detection is supported.

USART features:

- Full-duplex asynchronous communication
- NRZ standard format
- Configurable 16 times or 8 times oversampling for increased flexibility in speed and clock tolerance
- Programmable baud rate shared by transmit and receive, up to 3 Mbit/s(8 times oversampling)
- Automatic baud rate detection
- Programmable data length of 8 or 9 bits
- Configurable STOP bits (1 or 2 bits)
- Synchronous mode and clock output function for synchronous communication
- Single-wire half-duplex communication
- Independent transmit and receive enable bits
- Hardware flow control
- Transfer detection flag
  - Receive buffer full
  - Send empty buffer
  - End of transmission flags
- Parity control
  - Transmit parity bit
  - Check the received data byte
- Flagged interrupt sources
  - CTS change
  - Transmit data register empty
  - Transmission complete
  - Receive full data register



- Bus idle detected
- Overflow error
- Frame error
- Noise operation
- Detection error
- Multiprocessor communication
  - If the address does not match, enter silent mode
- Wake-up from silent mode: by idle detection and address flag detection

## 2.14. Serial peripheral interface (SPI)

The SPI allow the chip to communicate with external devices in half-duplex, full-duplex, and simplex synchronous serial communication. This interface can be configured in Master mode and provides the serial clock (SCK) for external slave devices. The interface can also work in a multi-master configuration.

The SPI features are as follows:

- Master or Slave mode
- 3-wire full-duplex simultaneous transmission
- 2-wire half-duplex synchronous transmission (with bidirectional data line)
- 2-wire simplex synchronous transmission (no bidirectional data line)
- 8-bit or 16-bit transmission frame selection
- Support multi-master mode
- 8 master mode baud rate prescale factors (max 12 MHz)
- Slave mode frequency (max 6 MHz)
- Both master and slave modes can be managed by software or hardware NSS: dynamic change of Master/Slave operating mode
- Programmable clock polarity and phase
- Programmable data order, MSB first or LSB first
- Dedicated transmit and receive flags that can trigger interrupts
- SPI bus busy status flag
- Motorola mode
- Interrupt-causing master mode faults or overloads
- 2 x 32-bit Rx and Tx FIFOs

## 2.15. SWD

An ARM SWD interface allows serial debugging tools to be connected to the PY32F002B-C.

### 3. Pinouts and pin descriptions

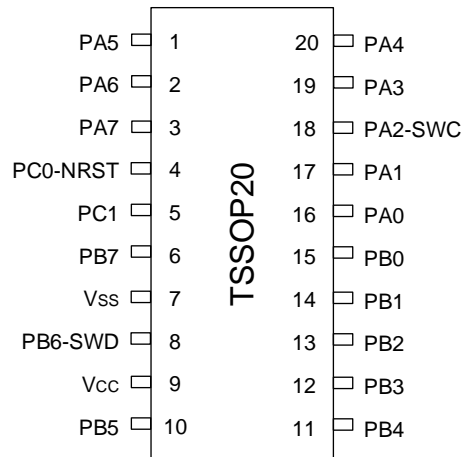


Figure 3-1 TSSOP20 Pinout1 PY32F002BF15P6-C (Top view)

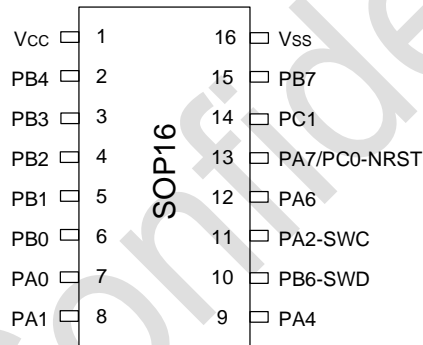


Figure 3-2 SOP16 Pinout1 PY32F002BW15S7-C (Top view)



Figure 3-3 SOP8 Pinout1 PY32F002BL15S6-C (Top view)

Table 3-1 Legend/abbreviations used in the pinout table

Timer type		Symbol	Definition
Pin type		S	Supply pin
		G	Ground pin
		I/O	Input / output pin
		NC	No internal connection
I/O structure		COM	Standard 5 V I/O, with Analog switch function supplied by V <sub>CC</sub>
		NRST	Bidirectional reset pin with embedded weak pull-up resistor
Notes		-	Unless otherwise specified, all ports are used as analog inputs between and after reset
Pin functions	Alternate functions	-	Function selected through GPIOx_AFR register
	Additional functions	-	Functions directly selected/enabled through peripheral registers

Table 3-2 Pin definitions

Packages			Reset	Pin type	I/O structure	Pin functions	
TSSOP20 F1	SOP16 W1	SOP8 L1				Alternate functions	Additional functions
1	-	-	PA5	I/O	COM	USART _ CK TIM1_CH1 TIM14_CH1	-
2	12	6	PA6 <sup>(4)</sup>	I/O	COM	SPI_NSS USART_TX EVENTOUT	ADC_IN3 External_clock_in
3	13	7	PA7 <sup>(4)</sup>	I/O	COM	SPI_MOSI USART_TX USART_RX TIM1_CH4 MCO	ADC_IN4
4	13	6	PCO-NRST <sup>(1) (2) (3) (4)</sup>	I/O	NRST	SWDIO TIM1_CH1N EVENTOUT	NRST ADC_IN5
5	14	7	PC1	I/O	COM	SPI_MISO	OSC32IN
6	15	-	PB7	I/O	COM	SPI_MOSI TIM14_CH1	OSC32OUT
7	16	8	V <sub>SS</sub>	G	-	Ground	
8	10	5	PB6-SWDIO <sup>(1)(2)(3)</sup>	I/O	COM	SPI_MISO USART_TX I <sup>2</sup> C_SDA SWDIO	ADC_IN6
9	1	1	V <sub>CC</sub>	S	-	Digital power supply	
10	-	-	PB5	I/O	COM	SPI_NSS USART_RX TIM1_CH3 TIM14_CH1	-
11	2	-	PB4	I/O	COM	USART_TX I <sup>2</sup> C_SDA TIM1_BKIN	-
12	3	-	PB3	I/O	COM	USART _ CK I <sup>2</sup> C_SCL TIM1_ETR	-

Packages			Reset	Pin type	I/O structure	Pin functions	
TSSOP20 F1	SOP16 W1	SOP8 L1				Alternate functions	Additional functions
						CMP1_OUT	
13	4	-	PB2	I/O	COM	SPI_SCK USART_CTS TIM1_CH1N TIM1_CH3	-
14	5	2	PB1	I/O	COM	USART_RTS TIM1_CH2N TIM1_CH4 MCO	ADC_IN0 CMP1_INP CMP1_INM
15	6	3	PB0	I/O	COM	SPI_SCK USART_CK TIM1_CH2 TIM1_CH3N	ADC_IN7 CMP1_INM
16	7	-	PA0	I/O	COM	SPI_MOSI TIM1_CH1	-
17	8	-	PA1	I/O	COM	SPI_MISO TIM1_CH2	-
18	11	4	PA2-SWCLK <sup>(1)(2)(3)</sup>	I/O	COM	USART_RX I <sup>2</sup> C_SCL SWCLK TIM1_CH4 CMP2_OUT	-
19	-	-	PA3	I/O	COM	USART_TX TIM1_CH2	ADC_IN1 CMP2_INP CMP2_INM
20	9	-	PA4	I/O	COM	USART_RX TIM1_CH3 TIM14_CH1	ADC_IN2 CMP2_INM

1. PB6, PA2, PC0 can select GPIO, NRST, or SWC/SWD functions through the option configuration.

option[1:0]	PA2	PB6	PC0
0/0(default)	SWCLK	NRST	SWDIO
0/1	SWCLK	NRST	SWDIO
1/0	SWCLK	GPIO	SWDIO
1/1	SWCLK	SWDIO	GPIO

2. After reset, when the option byte is configured to 0/0 (default state), PA2 and PC0 are configured as SWCLK and SWDIO.
3. The internal pull-up resistor is activated when configured as SWDIO and the internal pull-down resistor is activated when configured as SWCLK.
4. Two IO ports are lead out on the same pin, only one of the IO ports can be used at the same time, and the other IO must be configured in analog mode (MODEy [1: 0] is 0B11).

Puya Confidential

### 3.1. Alternate functions selected through GPIOA\_AFR registers for port A

Table 3-3 Port A alternate functions mapping

PortA	AF0	AF1	AF2	AF3	AF4	AF5	AF6	AF7
PA0	SPI_MOSI	-	TIM1_CH1	-	-	-	-	-
PA1	SPI_MISO	-	TIM1_CH2	-	-	-	-	-
PA2	SWC	USART_RX	TIM1_CH4	-	CMP2_OUT	-	I <sup>2</sup> C_SCL	-
PA3	-	USART_TX	TIM1_CH2	-	-	-	-	-
PA4	-	USART_RX	TIM1_CH3	-	-	TIM14_CH1	-	-
PA5	-	USART_CK	TIM1_CH1	-	-	TIM14_CH1	-	-
PA6	SPI_NSS	USART_TX	-	-	-	-	-	EVENTOUT
PA7	SPI_MOSI	USART_TX	TIM1_CH4	USART_RX	MCO	-	-	

### 3.2. Alternate functions selected through GPIOB\_AFR registers for port B

Table 3-4 Port B alternate function mapping

PortB	AF0	AF1	AF2	AF3	AF4	AF5	AF6	AF7
PB0	SPI_SCK	USART_CK	TIM1_CH2	TIM1_CH3N	-	-	-	-
PB1	-	USART_RTS	TIM1_CH2N	TIM1_CH4	MCO	-	-	-
PB2	SPI_SCK	USART_CTS	TIM1_CH1N	TIM1_CH3	-	-	-	-
PB3	-	USART_CK	TIM1_ETR	-	CMP1_OUT	-	I <sup>2</sup> C_SCL	-
PB4	-	USART_TX	TIM1_BKIN	-	-	-	I <sup>2</sup> C_SDA	-
PB5	SPI_NSS	USART_RX	TIM1_CH3	-	-	TIM14_CH1	-	-
PB6	SWD	USART_TX	SPI_MISO	-	-	-	I <sup>2</sup> C_SDA	-
PB7	SPI_MOSI	-	-	-	-	TIM14_CH1	-	-

### 3.3. Alternate functions selected through GPIOC\_AFR registers for port C

Table 3-5 Port C alternate function mapping

PortC	AF0	AF1	AF2	AF3	AF4	AF5	AF6	AF7
PC0	SWD	-	TIM1_CH1N	-	-	-	-	EVENTOUT
PC1	SPI_MISO	-	-	-	-	-	-	-



# 4. Memory mapping

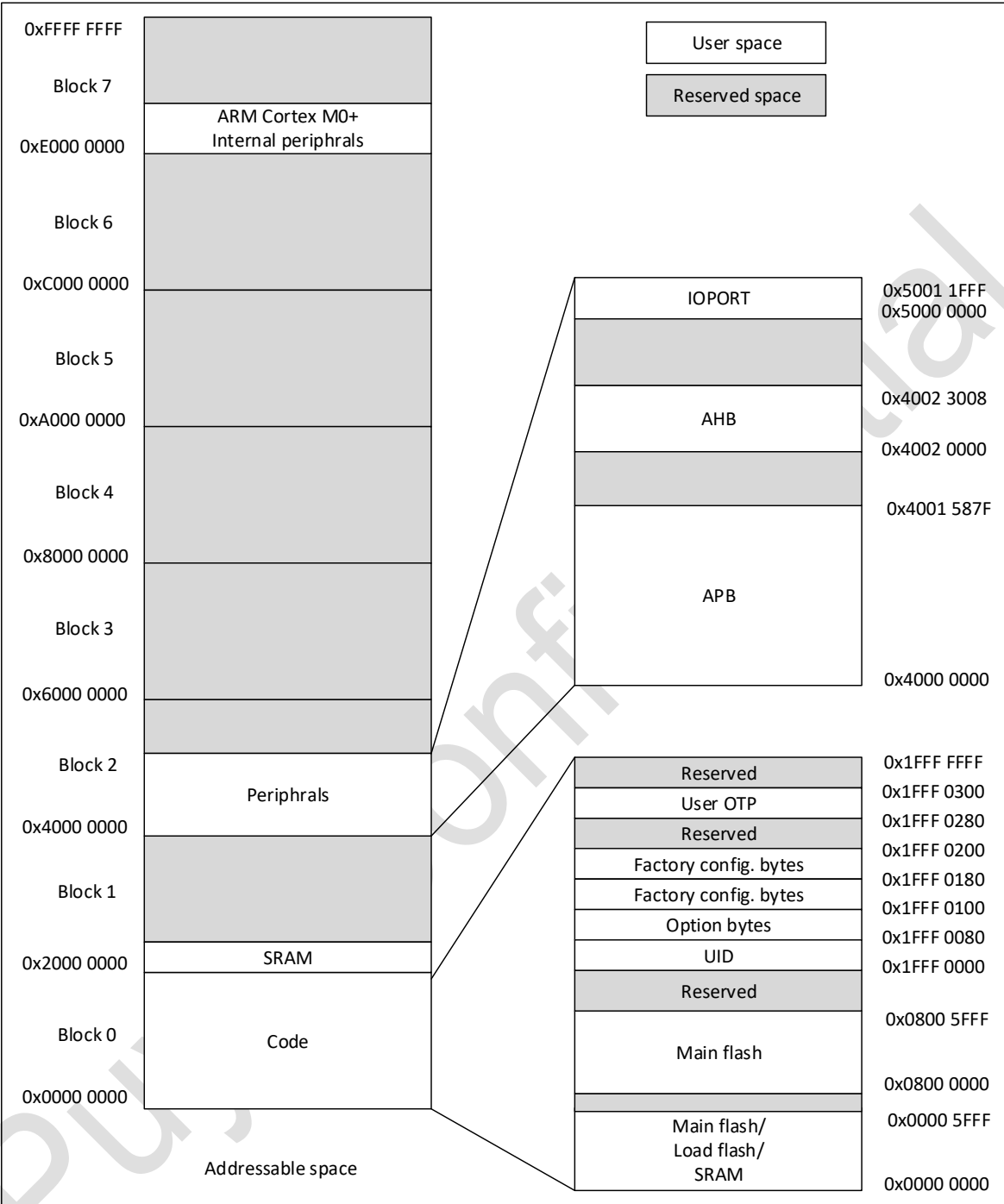


Figure 4-1 Memory mapping

Table 4-1 Memory boundary address

Type	Boundary address	Size	Memory area	Descriptions
SRAM	0x2000 8000-0x3FFF FFFF	-	Reserved <sup>(1)</sup>	-
	0x2000 0000-0x2000 0BFF	3 KB	SRAM	-
Code	0x1FFF 0300-0x1FFF FFFF	-	Reserved	-
	0x1FFF 0280-0x1FFF 02FF	128 Bytes	USER OTP memory	Store user data
	0x1FFF 0180-0x1FFF 01FF	128 Bytes	Factory configuration bytes 1	Store trimming data (including HSI trimming) and power-on verification code reading
	0x1FFF 0100-0x1FFF 017F	128 Bytes	Factory configuration bytes 0	HSI trimming data, Flash erase/write time configuration parameters
	0x1FFF 0080-0x1FFF 00FF	128 Bytes	Option bytes	Option bytes information
	0x1FFF 0000-0x1FFF 007F	128 Bytes	UID	Unique ID
	0x0800 6000-0x1FFE FFFF	-	Reserved	-
	0x0800 0000-0x0800 5FFF	24 KB	Main flash memory	-
	0x0000 6000-0x07FF FFFF	-	Reserved	-
	0x0000 0000-0x0000 5FFF	24 KB	Based on Boot configuration : 1.Main flash 2.Load flash 3.SRAM	-

The address is marked as **Reserved**, which cannot be written, read as 0, and a response error is generated.

Table 4-2 Peripheral register address

Bus	Boundary address	Size	Peripherals
	0xE000 0000-0xE00F FFFF	-	M0+
IOPORT	0x5000 0C00-0x5FFF FFFF	-	Reserved
	0x5000 0800-0x5000 0BFF	1 KB	GPIOC
	0x5000 0400-0x5000 07FF	1 KB	GPIOB
	0x5000 0000-0x5000 03FF	1 KB	GPIOA
AHB	0x4002 3400-0x4FFF FFFF	-	Reserved
	0x4002 300C-0x4002 33FF	1 KB	Reserved
	0x4002 3000-0x4002 3008		CRC
	0x4002 2400-0x4002 2FFF	-	Reserved
	0x4002 2000-0x4002 23FF	1 KB	Flash
	0x4002 1C00-0x4002 1FFF	-	Reserved
	0x4002 1900-0x4002 1BFF	1 KB	Reserved
	0x4002 1800-0x4002 18FF		EXTI

Bus	Boundary address	Size	Peripherals
	0x4002 1400-0x4002 17FF	-	Reserved
	0x4002 1080-0x4002 13FF	1 KB	Reserved
	0x4002 1000-0x4002 107F		RCC
	0x4002 0000-0x4002 0FFF	-	Reserved
APB	0x4001 5C00-0x4001 FFFF	-	Reserved
	0x4001 5880-0x4001 5BFF	1 KB	Reserved
	0x4001 5800-0x4001 587F		DBG
	0x4001 3C00-0x4001 57FF	-	Reserved
	0x4001 381C-0x4001 3BFF	1 KB	Reserved
	0x4001 3800-0x4001 3018		USART1
	0x4001 3400-0x4001 37FF	-	Reserved
	0x4001 3010-0x4001 33FF	1 KB	Reserved
	0x4001 3000-0x4001 300C		SPI1
	0x4001 2C50-0x4001 2FFF	1 KB	Reserved
	0x4001 2C00-0x4001 2C4C		TIM1
	0x4001 2800-0x4001 2BFF	-	Reserved
	0x4001 270C-0x4001 27FF	1 KB	Reserved
	0x4001 2400-0x4001 2708		ADC
	0x4001 0400-0x4001 23FF	-	Reserved
	0x4001 0220-0x4001 03FF	1 KB	Reserved
	0x4001 0200-0x4001 021F		COMP1/2
	0x4001 0000-0x4001 01FF		SYSCFG
	0x4000 8000-0x4000 FFFF	-	Reserved
	0x4000 7C28-0x4000 7FFF	1 KB	Reserved
	0x4000 7C00-0x4000 7C24		LPTIM
	0x4000 7400-0x4000 7BFF	-	Reserved
	0x4000 7018-0x4000 73FF	1 KB	Reserved
	0x4000 7000-0x4000 7014		PWR
	0x4000 5800-0x4000 6FFF	-	Reserved
	0x4000 5434-0x4000 57FF	1 KB	Reserved
	0x4000 5400-0x4000 5430		I <sup>2</sup> C
	0x4000 3400-0x4000 53FF	-	Reserved
	0x4000 3014-0x4000 33FF	1 KB	Reserved
	0x4000 3000-0x4000 0010		IWDG
	0x4000 2400-0x4000 2FFF	-	Reserved
	0x4000 2054-0x4000 23FF	1 KB	Reserved
0x4000 2000-0x4000 0050	TIM14		
0x4000 0000-0x4000 1FFF	Reserved		

## 5. Electrical characteristics

### 5.1. Parameter conditions

Unless otherwise specified, all voltages are referenced to  $V_{SS}$ .

#### 5.1.1. Minimum and maximum values

Unless otherwise specified, the minimum and maximum values are guaranteed in the worst conditions of ambient temperature, supply voltage and frequencies by tests in production on 100 % of the devices with an ambient temperature at  $T_A = 25\text{ }^\circ\text{C}$  and  $T_A = T_A(\text{max})$  (given by the selected temperature range).

Data based on electrical characterization results, design simulations and/or technology characteristics are indicated in the table footnotes and are not tested in production. Based on characterization, the minimum and maximum values refer to sample tests and represent the mean value plus or minus three times the standard deviation.

#### 5.1.2. Typical values

Unless otherwise specified, typical data is based on  $T_A = 25\text{ }^\circ\text{C}$  and  $V_{CC} = 3.3\text{ V}$ . These data are for design guidance only and have not been tested.

Typical ADC accuracy values are determined by characterization of a batch of samples from a standard diffusion lot over the full temperature range, where 95 % of the devices have an error less than or equal to the value indicated.

#### 5.1.3. Power supply scheme

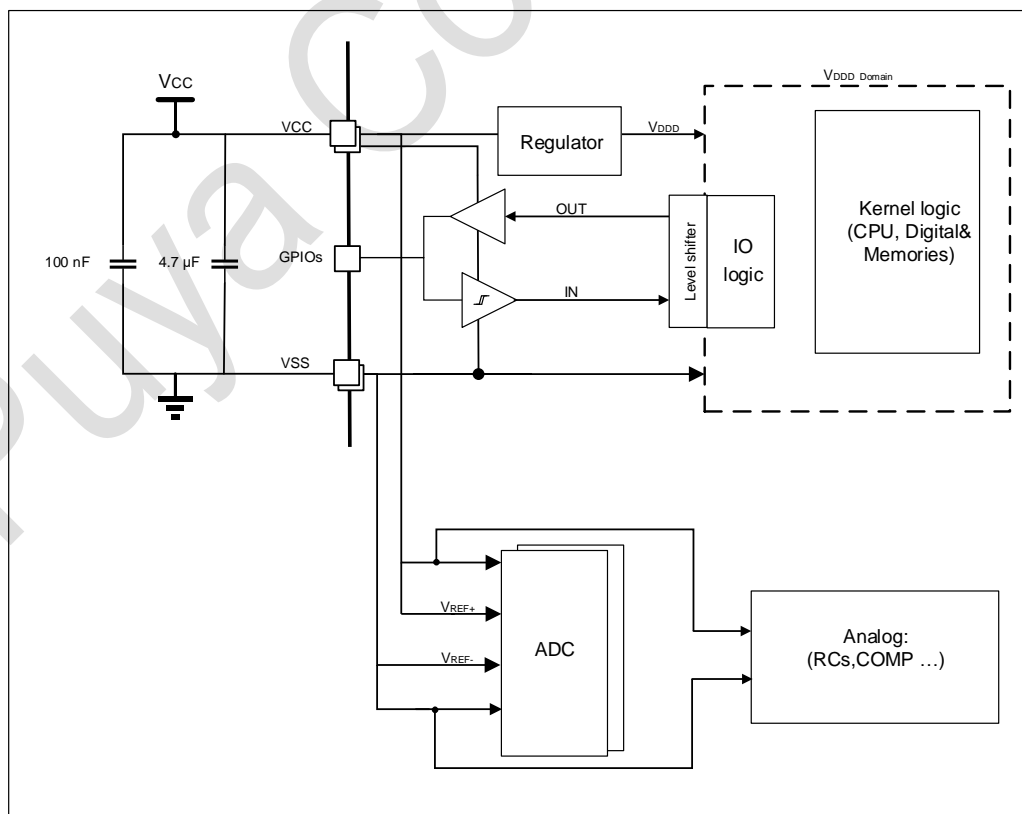


Figure 5 - 1 Power supply scheme

## 5.2. Absolute maximum ratings

Stresses above the absolute maximum ratings listed in following tables may cause permanent damage to the device. These are stress ratings only and functional operation of the device at these conditions is not implied. Exposure to maximum rating conditions for extended periods may affect device reliability.

Table 5-1 Voltage characteristics<sup>(1)</sup>

Symbol	Descriptions	Min	Max	Unit
V <sub>CC</sub>	External mains power supply	-0.3	6.25	V
V <sub>IN</sub>	Input voltage of other pins	-0.3	V <sub>CC</sub> +0.3	V

1. Main power V<sub>CC</sub> and ground V<sub>SS</sub> pins must always be connected to the external power supply, in the permitted range.

Table 5-2 Current characteristics

Symbol	Descriptions	Max	Unit
ΣI <sub>VCC</sub>	Total current into sum of all V <sub>CC</sub> power lines (source) <sup>(1)</sup>	150	mA
ΣI <sub>VSS</sub>	Total current out of sum of all V <sub>SS</sub> ground lines (sink) <sup>(1)</sup>	150	mA
I <sub>IO(PIN)</sub> <sup>(2)</sup>	Output current sunk by any I/O and control pin	80	mA
	Output current source by any I/O and control pin	30	
ΣI <sub>IO(PIN)</sub> <sup>(2)</sup>	Total output current sunk by sum of all I/Os and control pins	120	mA
	Total output current sourced by sum of all I/Os and control pins	120	

1. Main power V<sub>CC</sub> and ground V<sub>SS</sub> pins must always be connected to the external power supply, in the permitted range.
2. These I/O types refer to the terms and symbols defined by pins.

Table 5-3 Thermal characteristics

Symbol	Descriptions	Conditions	Value	Unit
T <sub>STG</sub>	Storage temperature range	-	-65 to +150	°C
T <sub>O</sub>	Operating temperature range	x6 version	-40 to +85	
		X7 version	-40 to +105	

## 5.3. Operating conditions

### 5.3.1. General operating conditions

Table 5-4 General operating conditions

Symbol	Parameter	Condition	Min	Max	Unit
f <sub>HCLK</sub>	Internal AHB clock frequency	-	0	48	MHz
f <sub>PCLK</sub>	Internal APB clock frequency	-	0	48	MHz
V <sub>CC</sub>	Standard operating voltage	-	1.7	5.5	V
V <sub>IN</sub>	I/O input voltage	-	-0.3	V <sub>CC</sub> +0.3	V
T <sub>A</sub>	Ambient temperature	x6 version	-40	85	°C
		X7 version	-40	105	
T <sub>J</sub>	Junction temperature	x6 version	-40	90	°C
		X7 version	-40	110	

### 5.3.2. Operating conditions at power-on / power-down

Table 5-5 Operating conditions at power-on / power-down

Symbol	Parameter	Conditions	Min	Max	Unit
t <sub>VCC</sub>	V <sub>CC</sub> rise rate	-	0	∞	μs/V
	V <sub>CC</sub> fall rate	-	20	∞	

### 5.3.3. Embedded reset

Table 5-6 Embedded reset characteristics

Symbol	Parameter	Conditions	Min	Typ	Max	Unit
t <sub>RSTTEMPO</sub> <sup>(1)</sup>	Reset temporization	-	-	4.0	7.5	ms
V <sub>POR/PDR</sub>	Power-on/power-down reset threshold	Rising edge	1.5 <sup>(2)</sup>	1.6	1.7	V
		Falling edge	1.45	1.55	1.65 <sup>(2)</sup>	V
V <sub>PDRhyst</sub> <sup>(1)</sup>	PDR hysteresis	-	-	50	-	mV
V <sub>BOR</sub>	BOR threshold	BOR_LEV[2:0]=000 (Rising edge)	1.7 <sup>(2)</sup>	1.8	1.9	V
		BOR_LEV[2:0]=000 (Falling edge)	1.6	1.7	1.8 <sup>(2)</sup>	
		BOR_LEV[2:0]=001 (Rising edge)	1.9 <sup>(2)</sup>	2	2.1	
		BOR_LEV[2:0]=001 (Falling edge)	1.8	1.9	2 <sup>(2)</sup>	
		BOR_LEV[2:0]=010 (Rising edge)	2.1 <sup>(2)</sup>	2.2	2.3	
		BOR_LEV[2:0]=010 (Falling edge)	2	2.1	2.2 <sup>(2)</sup>	
		BOR_LEV[2:0]=011 (Rising edge)	2.3 <sup>(2)</sup>	2.4	2.5	
		BOR_LEV[2:0]=011 (Falling edge)	2.2	2.3	2.4 <sup>(2)</sup>	
		BOR_LEV[2:0]=100 (Rising edge)	2.5 <sup>(2)</sup>	2.6	2.7	
		BOR_LEV[2:0]=100 (Falling edge)	2.4	2.5	2.6 <sup>(2)</sup>	
		BOR_LEV[2:0]=101 (Rising edge)	2.7 <sup>(2)</sup>	2.8	2.9	
		BOR_LEV[2:0]=101 (Falling edge)	2.6	2.7	2.8 <sup>(2)</sup>	
		BOR_LEV[2:0]=110 (Rising edge)	2.9 <sup>(2)</sup>	3	3.1	
		BOR_LEV[2:0]=110 (Falling edge)	2.8	2.9	3 <sup>(2)</sup>	
BOR_LEV[2:0]=111 (Rising edge)	3.1 <sup>(2)</sup>	3.2	3.3			
BOR_LEV[2:0]=111 (Falling edge)	3	3.1	3.2 <sup>(2)</sup>			
V <sub>BOR_hyst</sub>	BOR hysteresis	-	-	100	-	mV

1. Guaranteed by design, not tested in production.
2. Data based on characterization results, not tested in production.

### 5.3.4. Supply current characteristics

Table 5-7 Current consumption in Run mode

Symbol	Conditions						Typ <sup>(1)</sup>	Max <sup>(1)</sup>		Unit
	System clock	Frequency	Code	Run	Peripheral clock	Flash sleep		T <sub>A</sub> = 85 °C	T <sub>A</sub> = 105 °C	
I <sub>CC(Run)</sub>	HSI	48 MHz	While(1)	Flash	ON	DISABLE	1.8	2.1	2.3	mA
					OFF	DISABLE	1.3	1.6	1.7	
		24 MHz			ON	DISABLE	1.1	1.4	1.5	
					OFF	DISABLE	0.9	1	1.1	
		8 MHz			ON	DISABLE	0.7	1.0	1.1	
					OFF	DISABLE	0.5	0.8	0.9	
		4 MHz			ON	DISABLE	0.5	0.8	0.9	
					OFF	DISABLE	0.4	0.7	0.8	
	LSI	32.768 kHz		ON	DISABLE	160.4	240	270	μA	
				OFF	DISABLE	159.6	240	270		
		32.768 kHz		ON	ENABLE	108.3	160	190		
				OFF	ENABLE	107.7	160	190		

1. Data based on characterization results, not tested in production.

Table 5-8 Current consumption in Sleep mode

Symbol	Conditions				Typ <sup>(1)</sup>	Max <sup>(1)</sup>		Unit
	System clock	Frequency	Peripheral clock	Flash sleep		T <sub>A</sub> = 85 °C	T <sub>A</sub> = 105 °C	
I <sub>CC(Sleep)</sub>	HSI	48 MHz	ON	DISABLE	1.2	1.5	1.7	mA
			OFF	DISABLE	0.7	0.76	0.8	
		24 MHz	ON	DISABLE	0.80	0.9	0.95	

Symbol	Conditions				Typ <sup>(1)</sup>	Max <sup>(1)</sup>		Unit
	System clock	Frequency	Peripheral clock	Flash sleep		T <sub>A</sub> = 85 °C	T <sub>A</sub> = 105 °C	
		8 MHz	OFF	DISABLE	0.50	0.56	0.6	μA
			ON	DISABLE	0.45	0.55	0.6	
		4 MHz	OFF	DISABLE	0.35	0.40	0.45	
			ON	DISABLE	0.35	0.45	0.5	
	LSI	32.768 kHz	ON	DISABLE	159.3	240	270	
			OFF	DISABLE	158.9	240	270	
		32.768 kHz	ON	ENABLE	85.3	140	170	
			OFF	ENABLE	84.8	140	170	

1. Data based on characterization results, not tested in production.

Table 5-9 Current consumption in Stop mode

Symbol	Conditions				Typ <sup>(1)</sup>	Max <sup>(1)</sup>		Unit
	V <sub>CC</sub>	MR/LPR	LSI	Peripheral clock		T <sub>A</sub> = 85 °C	T <sub>A</sub> = 105 °C	
I <sub>CC(Stop)</sub>	1.7 to 5.5 V	Regulator in MR mode (LPR = 00)	OFF	OFF	75.3	130	170	μA
			Regulator in LPR mode (LPR = 01)	ON	IWDG+LPTIM	1.7	20	
		IWDG			1.7	20	40	
		LPTIM			1.7	20	40	
		OFF	OFF	1.5	19	38		

1. Data based on characterization results, not tested in production.



### 5.3.5. Wake-up time from low-power mode

Table 5-10 Wake-up time from low-power mode

Symbol	Parameter <sup>(1)</sup>	Conditions		Typ <sup>(2)</sup>	Max	Unit
$t_{WUSLEEP}$	Wake-up from Sleep mode to Run mode	-		6	-	CPU cycles
$t_{WUSTOP}$	Wake-up from Stop mode to Run mode in Flash	Regulator in MR (LPR = 00)	HSI = 48 MHz as system clock	6.6	-	$\mu s$
			HSI = 24 MHz as system clock	7.4	-	
		Regulator in LPR (LPR = 01)	HSI = 48 MHz as system clock	10.2	-	
			HSI = 24 MHz as system clock	11	-	

1. The wake-up time is measured from the wake-up time until the first instruction is read by the user program.
2. Data based on characterization results, not tested in production.

### 5.3.6. External clock source characteristics

#### 5.3.6.1. High-speed external clock generated from an external source

In HSE bypass mode (HSEEN of RCC\_CR is set), the corresponding IO acts as an external clock input port.

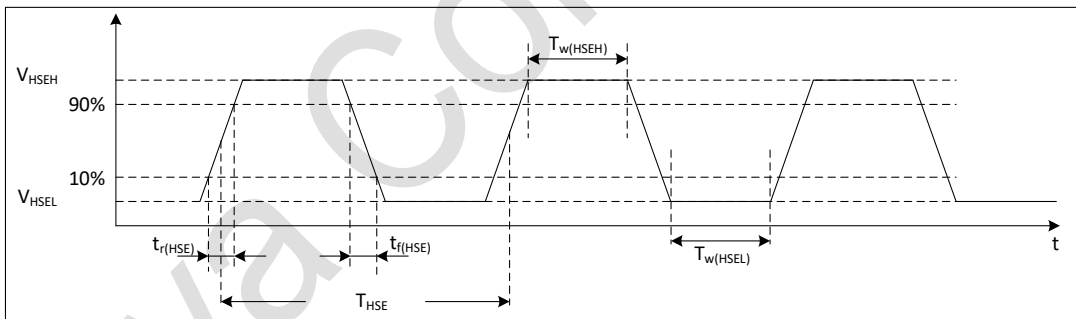


Figure 5-2 High-speed external clock timing diagram

Table 5-11 High-speed external clock characteristics

Symbol	Parameter <sup>(1)</sup>	Min	Typ	Max	Unit
$f_{HSE\_ext}$	External clock source frequency	1	8	32	MHz
$V_{HSEH}$	Input pin high level voltage	$0.7 * V_{CC}$	-	$V_{CC}$	V
$V_{HSEL}$	Input pin low level voltage	$V_{SS}$	-	$0.3 * V_{CC}$	V
$t_{w(HSEH)}$ $t_{w(HSEL)}$	High or low time	15	-	-	ns
$t_{r(HSE)}$ $t_{f(HSE)}$	Rise or fall time	-	-	20	ns

1. Guaranteed by design, not tested in production.

**5.3.6.2. Low-speed external clock generated from an external source**

In the bypass mode of LSE (the LSEBYP of RCC\_BDCR is set), the low-speed start-up circuit in the chip stops working, and the corresponding I/O is used as a standard GPIO.

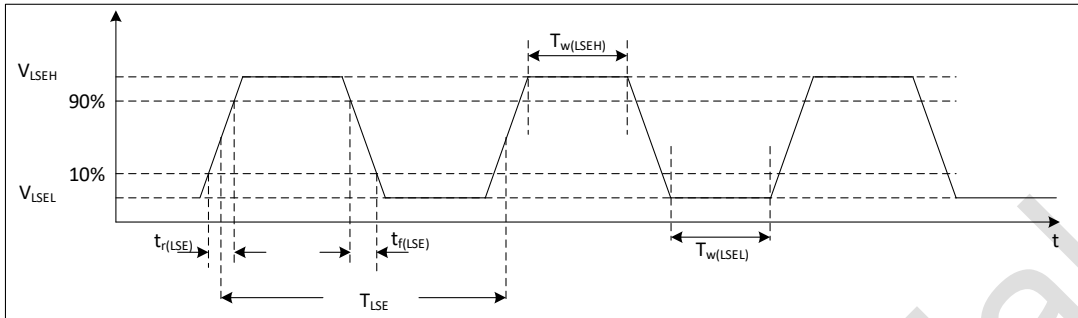


Figure 5-3 Low-speed external clock timing diagram

Table 5-12 Low-speed external clock characteristics

Symbol	Parameter <sup>(1)</sup>	Min	Typ	Max	Unit
$f_{LSE\_ext}$	External clock source frequency	-	32.768	1000	kHz
$V_{LSEH}$	Input pin high level voltage	$0.7 \cdot V_{CC}$	-	-	V
$V_{LSEL}$	Input pin low level voltage	-	-	$0.3 \cdot V_{CC}$	V
$t_{w(LSEH)}$ $t_{w(LSEL)}$	High or low time	450	-	-	ns
$t_{r(LSE)}$ $t_{f(LSE)}$	Rise or fall time	-	-	50	ns

1. Guaranteed by design, not tested in production.

**5.3.6.3. Low-speed external clock generated from a crystal resonator**

The low-speed external (LSE) clock can be supplied with a 32.768 kHz crystal resonator oscillator. In the application, the resonator and the load capacitors have to be placed as close as possible to the oscillator pins in order to minimize output distortion and startup stabilization time.

Table 5-13 LSE oscillator characteristics

Symbol	Parameter	Conditions <sup>(1)</sup>	Min	Typ	Max	Unit
$I_{CC}^{(4)}$	LSE current consumption	LSE_DRIVER [1:0] = 00 <sup>(3)</sup>	-	-	-	$\mu A$
		LSE_DRIVER [1:0] = 01, Rm=70 $\Omega$ , C <sub>L</sub> =6 pF	-	0.8	-	
		LSE_DRIVER [1:0] = 10, Rm=50, C <sub>L</sub> =12 pF	-	1.1	-	
		LSE_DRIVER [1:0] = 11, Rm=50 $\Omega$ , C <sub>L</sub> =12 pF	-	1.4	-	
$t_{SU(LSE)}^{(4) (5)}$	Startup time	LSE_DRIVER [1:0] = 00 <sup>(3)</sup>	-	-	-	s
		LSE_DRIVER [1:0] = 01, Rm=70 $\Omega$ , C <sub>L</sub> =6 pF	-	0.28	-	

Symbol	Parameter	Conditions <sup>(1)</sup>	Min	Typ	Max	Unit
		LSE_DRIVER [1:0] = 10, Rm=50 Ω, C <sub>L</sub> =12 pF	-	0.42	-	
		LSE_DRIVER [1:0] = 11, Rm=50 Ω, C <sub>L</sub> =12 pF	-	0.3	-	

- Crystal/ceramic resonator characteristics are based on the manufacturer's datasheet.
- Guaranteed by design, not tested in production.
- Reserved is reserved and is not recommended.
- t<sub>SU(LSE)</sub> is the startup time from enable (by software) to when the clock oscillation reaches a stable, measured for a standard crystal/resonator, which may vary greatly from crystal to resonator.
- Data based on characterization results, not tested in production.

### 5.3.7. High-speed internal (HSI) RC oscillator

Table 5-14 HSI oscillator characteristics

Symbol	Parameter	Conditions	Min	Typ	Max	Unit
f <sub>HSI</sub>	HSI frequency	T <sub>A</sub> = 25 °C, V <sub>CC</sub> = 3.3 V	47.66 <sup>(2)</sup>	48	48.34 <sup>(2)</sup>	MHz
			23.83 <sup>(2)</sup>	24	24.17 <sup>(2)</sup>	
			7.94 <sup>(2)</sup>	8	8.06 <sup>(2)</sup>	
			3.97 <sup>(2)</sup>	4	4.03 <sup>(2)</sup>	
ΔT <sub>emp(HSI)</sub>	HSI frequency drift over temperature	T <sub>A</sub> = -20 to 85 °C	-2 <sup>(2)</sup>	-	2 <sup>(2)</sup>	%
		T <sub>A</sub> = -40 to 105 °C	-3 <sup>(2)</sup>	-	3 <sup>(2)</sup>	
f <sub>TRIM</sub> <sup>(1)</sup>	HSI trimming accuracy	-	-	0.1	-	%
D <sub>HSI</sub> <sup>(1)</sup>	Duty cycle	-	45	-	55	%
t <sub>stab(HSI)</sub>	HSI stabilization time	-	-	2	4 <sup>(1)</sup>	μs
I <sub>CC (HSI)</sub> <sup>(2)</sup>	HSI power consumption	48 MHz	-	254	-	μA
		24 MHz	-	193	-	
		8 MHz	-	110	-	
		4 MHz	-	100	-	

- Guaranteed by design, not tested in production.
- Data based on characterization results, not tested in production.

### 5.3.8. Low-speed internal (LSI) RC oscillator

Table 5-15 LSI oscillator characteristics

Symbol	Parameter	Conditions	Min	Typ	Max	Unit
f <sub>LSI</sub>	LSI frequency	T <sub>A</sub> = 25 °C, V <sub>CC</sub> = 3.3 V	31.6	32.768	33.6	kHz
ΔTemp <sub>(LSI)</sub>	LSI frequency drift over temperature	T <sub>A</sub> = 0 to 105 °C	-15 <sup>(2)</sup>	-	15 <sup>(2)</sup>	%
		T <sub>A</sub> = -40 to 105 °C	-20 <sup>(2)</sup>	-	20 <sup>(2)</sup>	
f <sub>TRIM</sub> <sup>(1)</sup>	LSI trimming accuracy	-	-	0.2	-	%
t <sub>stab(LSI)</sub> <sup>(1)</sup>	LSI stabilization time	-	-	150	-	μs
I <sub>CC(LSI)</sub> <sup>(1)</sup>	LSI power consumption	-	-	210	-	nA

1. Guaranteed by design, not tested in production.
2. Data based on characterization results, not tested in production.

### 5.3.9. Memory characteristics

Table 5-16 Memory characteristics

Symbol	Parameter	Conditions	Typ	Max <sup>(1)</sup>	Unit
$t_{\text{prog}}$	Page programming time	-	1.0	1.5	ms
$t_{\text{ERASE}}$	Page/sector/mass erase time	-	3.5	5.0	ms
$I_{\text{CC}}$	Page programming supply current	-	2.1	2.9	mA
	Page/sector/mass erase supply current	-	2.1	2.9	

1. Guaranteed by design, not tested in production.

Table 5-17 Memory endurance and data retention

Symbol	Parameter	Conditions	Min <sup>(1)</sup>	Unit
$N_{\text{END}}$	Endurance	$T_A = -40$ to $85$ °C	100	kcycle
		$T_A = 85$ to $105$ °C	10	
$t_{\text{RET}}$	Data retention time	10 kcycle $T_A = 55$ °C	20	Year
		1 kcycle $T_A = 85$ °C	10	

1. Data based on characterization results, not tested in production.

### 5.3.10. EFT characteristics

Table 5-18 EFT characteristics

Symbol	Parameter	Conditions	Grade
EFT to power	-	IEC61000-4-4	4A

### 5.3.11. ESD & LU characteristics

Table 5-19 ESD&amp;LU characteristics

Symbol	Parameter	Conditions	Typ	Unit
$V_{\text{ESD(HBM)}}$	Electrostatic discharge voltage (human body model)	ESDA/JEDEC JS-001-2017	6	kV
$V_{\text{ESD(CDM)}}$	Electrostatic discharge voltage (charged device model)	ESDA/JEDEC JS-002-2018	1	kV
LU	Static Latch-up class	JESD78E	200	mA

### 5.3.12. Port characteristics

Table 5-20 Port static characteristics

Symbol	Parameter	Conditions	Min	Typ	Max	Unit
$V_{\text{IH}}$	Input high level voltage	$V_{\text{CC}} = 1.7$ to $5.5$ V	$0.7 \cdot V_{\text{CC}}$	-	-	V
$V_{\text{IL}}$	Input low level voltage	$V_{\text{CC}} = 1.7$ to $5.5$ V	-	-	$0.3 \cdot V_{\text{CC}}$	V
$V_{\text{hys}}^{(1)}$	Schmitt trigger hysteresis	-	-	200	-	mV
$I_{\text{lk}}$	Input leakage current	-	-	-	1	$\mu\text{A}$
$R_{\text{PU}}$	Weak pull-up equivalent resistor	-	30	50	70	k $\Omega$

Symbol	Parameter	Conditions	Min	Typ	Max	Unit
R <sub>PD</sub>	Weak pull-down equivalent resistor	-	30	50	70	kΩ
C <sub>IO</sub> <sup>(1)</sup>	Pin capacitance	-	-	5	-	pF
t <sub>ns(EXTI)</sub> <sup>(1)</sup>	Input filter width(EXTI)	ENI=1, ENS=1	3	5	10	ns
t <sub>ns(I2C)</sub> <sup>(1)</sup>	Input filter width(I <sup>2</sup> C)	ENI=1, EIIC=1	70	90	120	ns

1. Guaranteed by design, not tested in production.

Table 5-21 Output voltage characteristics<sup>(3)</sup>

Symbol	Parameter <sup>(2)</sup>	Conditions		Min	Max	Unit
V <sub>OL</sub> <sup>(1)</sup>	Output low level voltage for an I/O pin	GPIOx_OSPEEDR=11	I <sub>OL</sub> = 70 mA, V <sub>CC</sub> ≥ 5.0 V	-	0.6	V
			I <sub>OL</sub> = 50 mA, V <sub>CC</sub> ≥ 3.0 V	-	0.5	
		GPIOx_OSPEEDR=01	I <sub>OL</sub> = 8 mA, V <sub>CC</sub> ≥ 2.7 V	-	0.4	
			I <sub>OL</sub> = 4 mA, V <sub>CC</sub> = 1.8 V	-	0.4	
		GPIOx_OSPEEDR=00	I <sub>OL</sub> = 4 mA, V <sub>CC</sub> ≥ 2.7 V	-	0.4	
			I <sub>OL</sub> = 2 mA, V <sub>CC</sub> = 1.8 V	-	0.4	
V <sub>OH</sub> <sup>(1)</sup>	Output high level voltage for an I/O pin	GPIOx_OSPEEDR=11	I <sub>OH</sub> = 18 mA, V <sub>CC</sub> ≥ 5.0 V	V <sub>CC</sub> -0.6	-	V
			I <sub>OH</sub> = 8 mA, V <sub>CC</sub> > 2.7 V	V <sub>CC</sub> -0.4	-	
			I <sub>OH</sub> = 4 mA, V <sub>CC</sub> = 2.7 V	V <sub>CC</sub> -0.4	-	
			I <sub>OH</sub> = 2 mA, V <sub>CC</sub> = 1.8 V	V <sub>CC</sub> -0.4	-	
		GPIOx_OSPEEDR=10	I <sub>OH</sub> = 12 mA, V <sub>CC</sub> ≥ 5.0 V	V <sub>CC</sub> -0.6	-	
			I <sub>OH</sub> = 4 mA, V <sub>CC</sub> > 2.7 V	V <sub>CC</sub> -0.4	-	
		I <sub>OH</sub> = 2 mA, V <sub>CC</sub> = 1.8 V	V <sub>CC</sub> -0.4	-		

1. These I/O types refer to the terms and symbols defined by pins.
2. Data based on characterization results, not tested in production.
3. The combined maximum current across all output pins (including contributions from both V<sub>OL</sub> and V<sub>OH</sub> states) must not exceed the ΣI<sub>O(PIN)</sub> maximum rating specified in [Table 5-2 Current Characteristics](#).

Table 5-22 Output low level voltage for I<sup>2</sup>C (Open-drain output) Characteristics<sup>(3)</sup>

Symbol	Parameter <sup>(2)</sup>	Conditions		Min	Max	Unit
V <sub>OL</sub> <sup>(1)</sup>	Output low level voltage for COM IO_OD(I <sup>2</sup> C)	GPIOx_OSPEEDR=11	I <sub>OL</sub> = 40 mA, V <sub>CC</sub> ≥ 5.0 V	-	0.6	V
			I <sub>OL</sub> = 30 mA, V <sub>CC</sub> ≥ 3.0 V	-	0.5	
		GPIOx_OSPEEDR=01	I <sub>OL</sub> = 8 mA, V <sub>CC</sub> ≥ 2.7 V	-	0.4	
			I <sub>OL</sub> = 4 mA, V <sub>CC</sub> = 1.8 V	-	0.4	
		GPIOx_OSPEEDR=00	I <sub>OL</sub> = 4 mA, V <sub>CC</sub> ≥ 2.7 V	-	0.4	
			I <sub>OL</sub> = 2 mA, V <sub>CC</sub> = 1.8 V	-	0.4	

1. These I/O types refer to the terms and symbols defined by pins.
2. Data based on characterization results, not tested in production.
3. The combined maximum current across all output pins (including contributions from both V<sub>OL</sub> and V<sub>OH</sub> states) must not exceed the ΣI<sub>O(PIN)</sub> maximum rating specified in [Table 5-2 Current Characteristics](#).

### 5.3.13. ADC characteristics

Table 5-23 ADC characteristics

Symbol	Parameter	Conditions	Min	Typ	Max	Unit
V <sub>CC</sub>	ADC supply voltage	-	1.8	-	5.5	V
I <sub>CC</sub>	Current consumption from V <sub>CC</sub>	f <sub>s</sub> =0.75 Msps	-	300	-	μA
C <sub>ADC</sub> <sup>(1)</sup>	Internal sampling and holding capacitor	-	-	5	8	pF
R <sub>AIN</sub> <sup>(1)(3)</sup>	External input impedance	-	-	-	31	kΩ
R <sub>ADC</sub> <sup>(1)</sup>	Sampling switch resistance	-	-	-	2.5	kΩ
f <sub>ADC</sub>	ADC clock frequency	V <sub>REF+</sub> = V <sub>CC</sub> = 1.8 to 2.3 V	0.8	3	6 <sup>(2)</sup>	MHz
		V <sub>REF+</sub> = V <sub>CC</sub> = 2.3 to 5.5 V	0.8	6	12 <sup>(2)</sup>	
		V <sub>REF+</sub> = V <sub>REFBUF</sub>	0.375	-	0.75	
f <sub>s</sub>	Sampling rate	V <sub>REF+</sub> = V <sub>CC</sub> = 1.8 to 2.3 V	0.05	-	0.375	Msps
		V <sub>REF+</sub> = V <sub>CC</sub> = 2.3 to 5.5 V	0.05	-	0.75	
		V <sub>REF+</sub> = V <sub>REFBUF</sub>	0.023	-	0.046	
t <sub>CAL</sub> <sup>(1)</sup>	Calibration time	f <sub>ADC</sub> = 12 MHz	5.83	-	9.92	μs
			70	-	119	1/f <sub>ADC</sub>
t <sub>samp</sub> <sup>(1)</sup>	Sampling time	f <sub>ADC</sub> = 6 MHz V <sub>CC</sub> = 1.8 - 2.3 V	0.438	-	29.94	μs
			3.5	-	239.5	1/f <sub>ADC</sub>
		f <sub>ADC</sub> = 12 MHz V <sub>CC</sub> = 2.3 to 5.5 V	0.292	-	19.96	μs
			3.5	-	239.5	1/f <sub>ADC</sub>
t <sub>samp_int</sub> <sup>(1)</sup>	Sampling time for internal channels	-	20	-	-	μs
t <sub>conv</sub> <sup>(1)</sup>	Total conversion time	V <sub>CC</sub> = 1.8 to 5.5 V	12	-	248	1/f <sub>ADC</sub>
t <sub>eoC</sub> <sup>(1)</sup>	Conversion end time	V <sub>CC</sub> = 1.8 to 5.5 V	0.5			1/f <sub>ADC</sub>

1. Guaranteed by design, not tested in production.
2. Data based on characterization results, not tested in production.
3. Equation 1: R<sub>AIN</sub> maximum formula

$$R_{AIN} < \frac{T_s}{f_{ADC} \times C_{ADC} \times \ln(2^{N+2})} - R_{ADC}$$

The formula above (Equation 1) is used to determine the maximum external impedance allowed for an error below 1/4 of LSB. Here N = 12 (from 12-bit resolution).

 Table 5-24 R<sub>AIN</sub> max for f<sub>ADC</sub> = 12 MHz<sup>(1)</sup>

T <sub>s</sub> (cycles)	t <sub>s</sub> (μs)	R <sub>AIN</sub> max (kΩ)
3.5	0.29	0.3

Ts (cycles)	ts (μs)	R <sub>AIN</sub> max (kΩ)
5.5	0.46	1.9
7.5	0.62	3.5
13.5	1.12	8.3
28.5	2.37	20.4
41.5	3.46	30.9
134.5	11.21	-
239.5	15.96	-

1. Guaranteed by design, not tested in production.

Table 5-25 ADC accuracy<sup>(1)(2)</sup>

Symbol	Parameter	Conditions	Min	Typ	Max	Unit
ET	Total unadjusted error	f <sub>ADC</sub> = 12 MHz, V <sub>REF+</sub> = V <sub>CC</sub> = 2.3 to 5.5 V	-	±10.0	-	LSB
EO	Offset error		-	±3.0	-	LSB
EG	Gain error		-	±5.0	-	LSB
DNL	Differential linearity error		-	±1.5	-	LSB
INL	Integral linearity		-	±6.5	-	LSB
ENOB	Effective number of bits		-	9.0	-	bit

1. ADC DC accuracy values are measured after internal calibration.

2. Data based on characterization results, not tested in production.

3. Guaranteed by design, not tested in production.

### 5.3.14. Comparator characteristics

Table 5-26 Comparator characteristics

Symbol	Parameter	Conditions	Min	Typ	Max	Unit	
V <sub>IN</sub> <sup>(1)</sup>	Input voltage range	-	0	-	V <sub>CC</sub> -1.5	V	
t <sub>START</sub> <sup>(1)</sup>	Startup time	-	-	-	5	μs	
t <sub>D</sub> <sup>(1)</sup>	Propagation delay	200 mV step, 100mV over-drive	Output from low to high	-	200	-	ns
			Output from high to low	-	150	-	
V <sub>offset</sub> <sup>(1)</sup>	Offset voltage	-	-	±5	-	mV	
V <sub>hys</sub> <sup>(1)</sup>	Hysteresis voltage	No hysteresis	-	0	-	mV	
I <sub>CC</sub> <sup>(2)</sup>	Current consumption from V <sub>CC</sub>	-	-	50	-	μA	

1. Data based on characterization results, not tested in production.

2. Guaranteed by design, not tested in production.

### 5.3.15. Temperature sensor characteristics

 Table 5-27 Temperature sensor characteristics<sup>(1)</sup>

Symbol	Parameter	Min	Typ	Max	Unit
$T_L^{(1)}$	$V_{TS}$ linearity with temperature	-	$\pm 1$	$\pm 2$	$^{\circ}\text{C}$
Avg_Slope <sup>(1)</sup>	Average slope	2.3	2.5	2.7	mV/ $^{\circ}\text{C}$
$V_{30}$	Voltage at 30 $^{\circ}\text{C}$ ( $\pm 5$ $^{\circ}\text{C}$ )	0.74	0.76	0.78	V
$t_{\text{START}}^{(1)}$	Start up time entering in continuous mode	-	70	120	$\mu\text{s}$
$t_{\text{s\_setup}}^{(1)}$	ADC sampling time when reading the temperature	20	-	-	$\mu\text{s}$

1. Guaranteed by design, not tested in production.

### 5.3.16. Embedded internal voltage reference( $V_{\text{REFINT}}$ ) characteristics

 Table 5-28 Internal voltage reference buffer( $V_{\text{REFINT}}$ ) characteristics<sup>(1)</sup>

Symbol	Parameter	Min	Typ	Max	Unit
$V_{\text{REFINT}}$	Internal voltage reference	1.17	1.2	1.23	V
$t_{\text{start\_VREFINT}}$	Start time of $V_{\text{REFINT}}$	-	10	15	$\mu\text{s}$
$T_{\text{coeff\_VREFINT}}$	Temperature coefficient of $V_{\text{REFINT}}$	-	-	100 <sup>(1)</sup>	ppm/ $^{\circ}\text{C}$
$I_{\text{CC}}$	$V_{\text{REFINT}}$ current consumption from $V_{\text{CC}}$	-	12	20	$\mu\text{A}$

1. Guaranteed by design, not tested in production.

### 5.3.17. Internal voltage reference buffer ( $V_{\text{REFBUF}}$ ) characteristics

 Table 5-29 Internal voltage reference buffer ( $V_{\text{REFBUF}}$ ) characteristics<sup>(1)</sup>

Symbol	Parameter	Conditions	Min	Typ	Max	Unit
$V_{\text{REF25}}$	2.5 V internal reference buffer	$T_A = 25$ $^{\circ}\text{C}$ , $V_{\text{CC}} = 3.3$ V	2.425	2.5 <sup>(2)</sup>	2.575	V
$V_{\text{REF20}}$	2.048 V internal reference buffer	$T_A = 25$ $^{\circ}\text{C}$ , $V_{\text{CC}} = 3.3$ V	1.988	2.048 <sup>(2)</sup>	2.108	V
$V_{\text{REF15}}$	1.5 V internal reference buffer	$T_A = 25$ $^{\circ}\text{C}$ , $V_{\text{CC}} = 3.3$ V	1.485	1.5 <sup>(2)</sup>	1.515	V
$T_{\text{coeff\_VREFBUF}}$	Temperature coefficient of $V_{\text{REFBUF}}$	$T_A = -40$ to $105$ $^{\circ}\text{C}$	-	-	120 <sup>(1)</sup>	ppm/ $^{\circ}\text{C}$
$t_{\text{start\_VREFBUF}}$	Start time of $V_{\text{REFBUF}}$	-	-	10	15	$\mu\text{s}$

1. Guaranteed by design, not tested in production.

2. 1.5 V internal reference buffer precision value storage address: 0x1FFF002E.

2.048 V internal reference buffer precision value storage address: 0x1FFF0032.

2.5 V internal reference buffer precision value storage address: 0x1FFF0036.

eg: Reading the 16-bit value 0x1501 from address 0x1FFF002E indicates a reference voltage precise value of 1.501 V.

### 5.3.18. COMP voltage reference buffer characteristics

 Table 5-30  $V_{\text{REFCOMP}}$  for Comparator characteristics<sup>(1)</sup>

Symbol	Parameter	Conditions	Min	Typ	Max	Unit
$\Delta V_{\text{abs}}$	Absolute deviation	-	-	-	$\pm 0.5$	LSB
$t_{\text{start\_VREFCOMP}}$	Start time of $V_{\text{REFCOMP}}$	-	-	10	15	$\mu\text{s}$

1. Guaranteed by design, not tested in production.



### 5.3.19. Timer characteristics

Table 5-31 Timer characteristics

Symbol	Parameter	Conditions	Min	Max	Unit
$t_{res(TIM)}$	Timer resolution time	-	1	-	$t_{TIMxCLK}$
		$f_{TIMxCLK} = 48 \text{ MHz}$	20.833	-	ns
$f_{EXT}$	Timer external clock frequency on CH1 to CH4	-	-	$f_{TIMxCLK}/2$	MHz
		$f_{TIMxCLK} = 48 \text{ MHz}$	-	24	
$Res_{TIM}$	Timer resolution time	TIM1/3/14/16/17	-	16	bit
$t_{COUNTER}$	16-bit counter internal clock period	-	1	65536	$t_{TIMxCLK}$
		$f_{TIMxCLK} = 48 \text{ MHz}$	0.020833	1365	$\mu\text{s}$

Table 5-32 LPTIM characteristics (timeout period at 32.768 kHz LSI)

Prescaler	PRESC[2:0]	Min	Max	Unit
/1	0	0.0305	1998.848	ms
/2	1	0.0610	3997.696	
/4	2	0.1221	8001.9456	
/8	3	0.2441	15997.3376	
/16	4	0.4883	32001.2288	
/32	5	0.9766	64002.4576	
/64	6	1.9531	127998.3616	
/128	7	3.9063	256003.2768	

Table 5-33 IWDG characteristics (timeout period at 32.768 kHz LSI)

Prescaler	PR[2:0]	Min	Max	Unit
/4	0	0.122	499.712	ms
/8	1	0.244	999.424	
/16	2	0.488	1998.848	
/32	3	0.976	3997.696	
/64	4	1.952	7995.392	
/128	5	3.904	15990.784	
/256	6 or 7	7.808	31981.568	

### 5.3.20. Communication interfaces

#### 5.3.20.1. I<sup>2</sup>C interface characteristics

I<sup>2</sup>C interface meets the requirements of the I<sup>2</sup>C bus specification and user manual:

- Standard mode (Sm): 100 kbit/s
- Fast mode (Fm): 400 kbit/s

I<sup>2</sup>C SDA and SCL pins have analog filtering, see table below.

Table 5-34 I<sup>2</sup>C filter characteristics

Symbol	Parameter	Min	Max	Unit
$t_{AF}$	Limiting duration of spikes suppressed by the filter (Spikers shorter than the limiting duration are suppressed)	50	260	ns

### 5.3.20.2. SPI characteristics

Table 5-35 SPI characteristics

Symbol	Parameter	Conditions	Min	Max	Unit
$f_{SCK}$	SPI clock frequency	Master mode	-	12 <sup>(1)</sup>	MHz
$1/t_{c(SCK)}$		Slave mode	-	6 <sup>(2)</sup>	
$t_{r(SCK)}$ $t_{f(SCK)}$	SPI clock rise and fall time	Capacitive load: C = 15 pF	-	6	ns
$t_{su(NSS)}$	NSS setup time	Slave mode, presc = 8	4T <sub>pclk</sub>	-	ns
$t_{h(NSS)}$	NSS hold time	Slave mode	2T <sub>pclk</sub>	-	ns
$t_{w(SCKH)}$ $t_{w(SCKL)}$	SCK high and low time	Master mode	T <sub>pclk</sub> - 1	T <sub>pclk</sub> + 1	ns
$t_{su(MI)}$ $t_{su(SI)}$	Data input setup time	Master mode	4	-	ns
		Slave mode	3	-	
$t_{h(MI)}$ $t_{h(SI)}$	Data input hold time	Master mode	5.5	-	ns
		Slave mode	4	-	
$t_{a(SO)}$	Data output access time	Slave mode	9	34	ns
$t_{dis(SO)}$	Data output disable time	Slave mode	9	16	ns
$t_{v(SO)}$	Data output valid time	Slave mode (after enable edge)	-	22	ns
$t_{v(MO)}$	Data output valid time	Master mode (after enable edge)	-	4.5	ns
$t_{h(SO)}$ $t_{h(MO)}$	Data output hold time	Slave mode (after enable edge)	6	-	ns
		Master mode (after enable edge)	2	-	
DuCy(SCK)	SPI slave input clock duty cycle	Slave mode	45	55	%

1. The test condition for this parameter is full-duplex mode.
2. The test condition of Parameter is single-wire mode, and the maximum is 1.5 MHz in full-duplex mode.

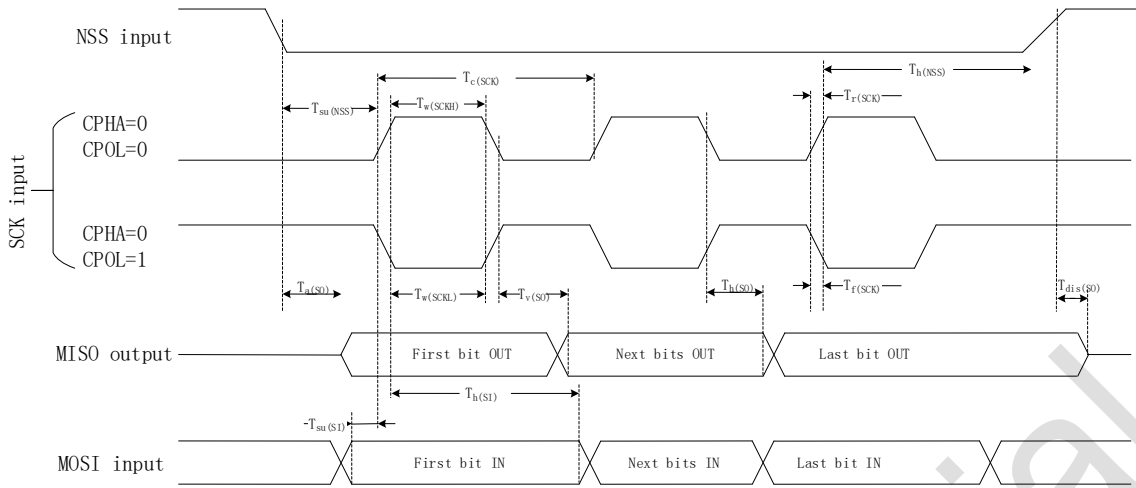


Figure 5-4 SPI timing diagram—Slave mode and CPHA=0

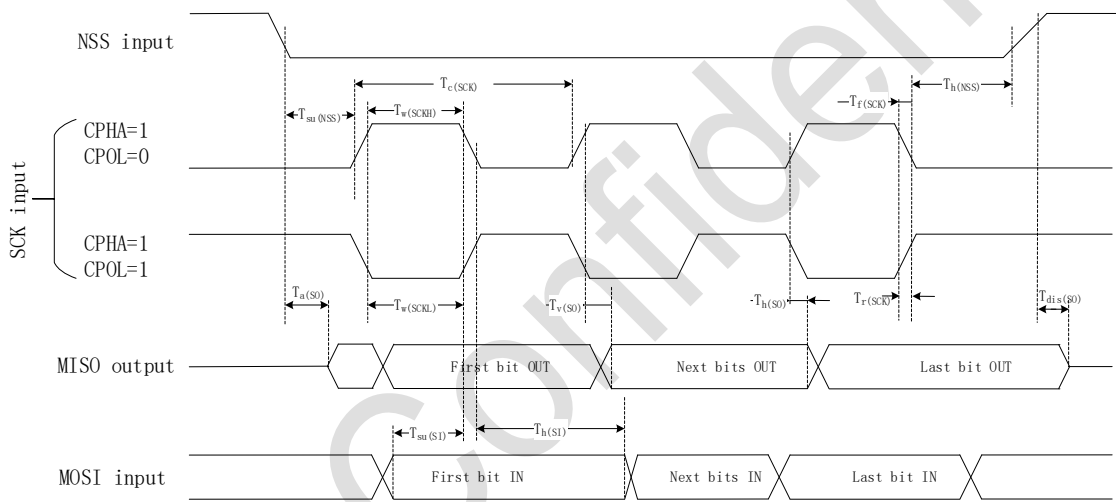


Figure 5-5 SPI timing diagram—Slave mode and CPHA=1

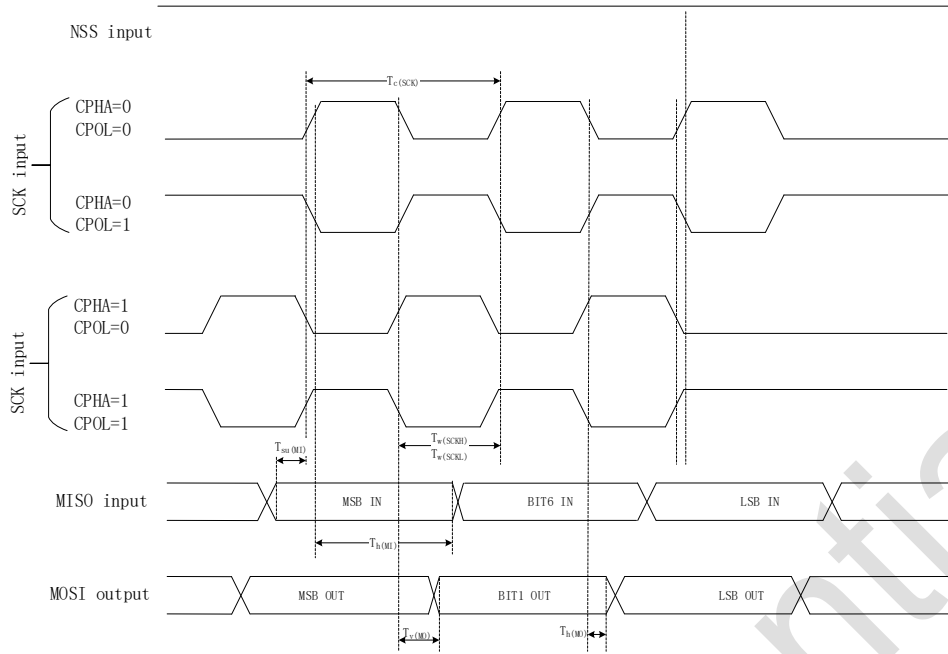
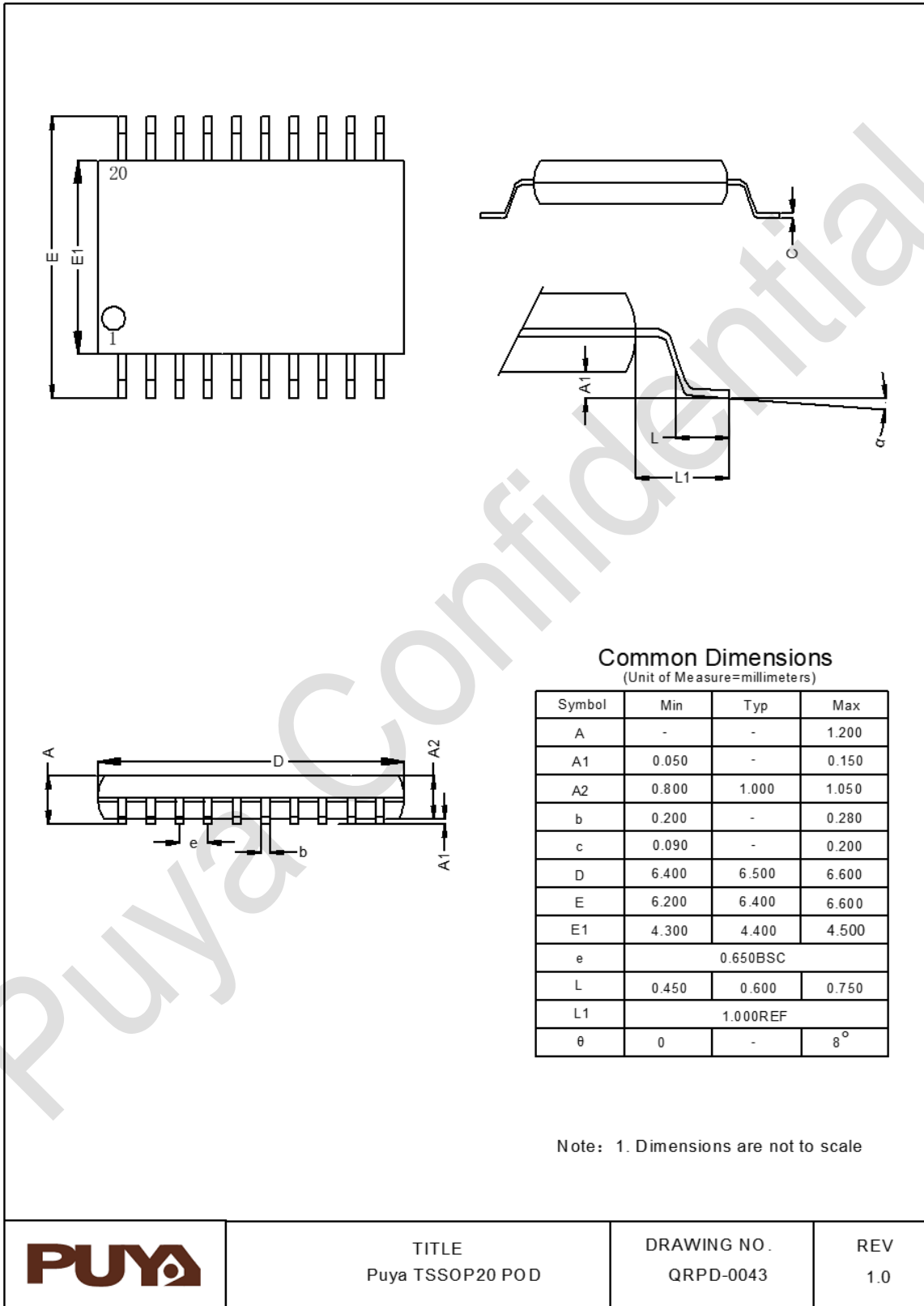


Figure 5-6 SPI timing diagram—Master mode

## 6. Package information

### 6.1. TSSOP20 package size

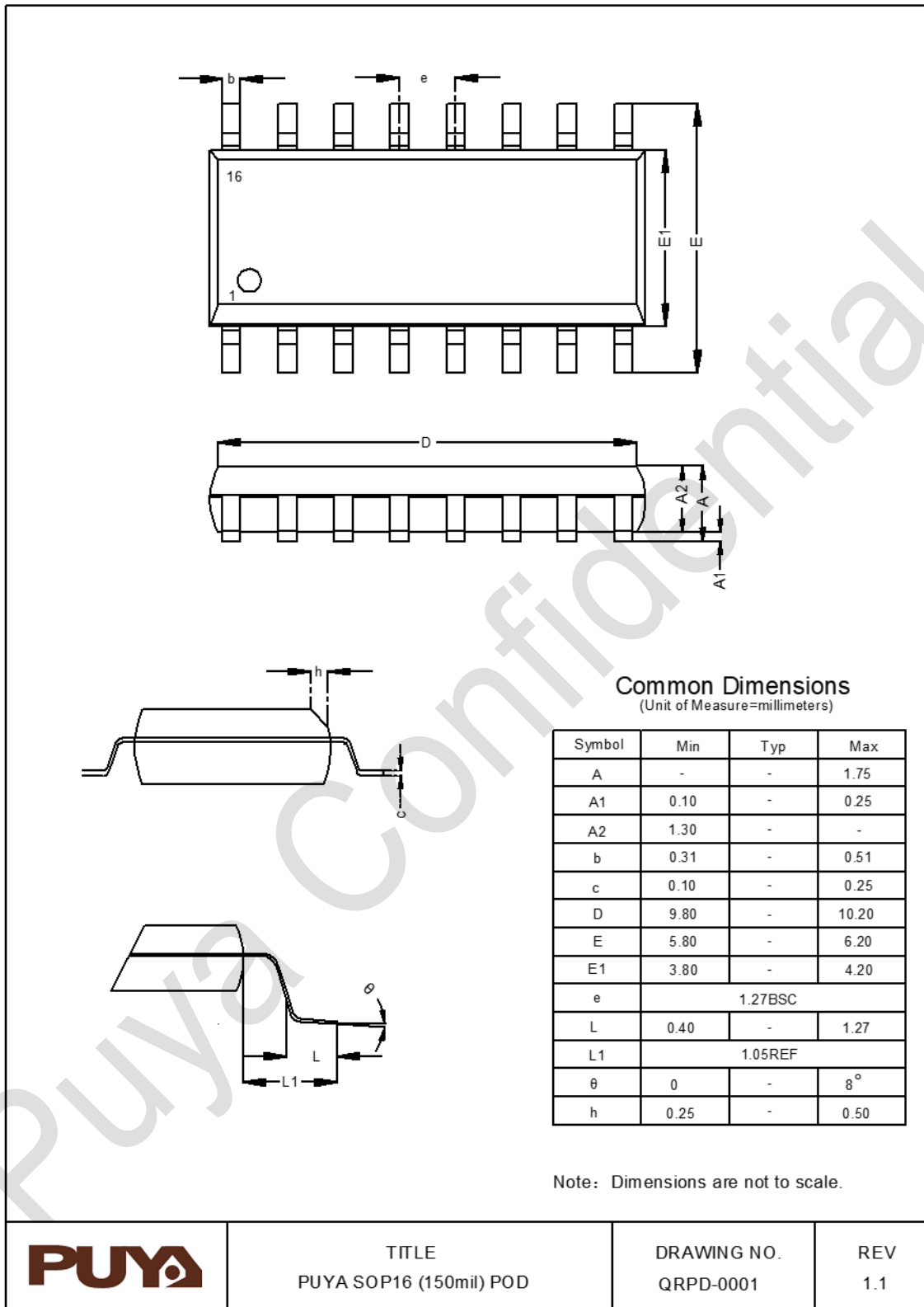


TITLE  
Puya TSSOP20 POD

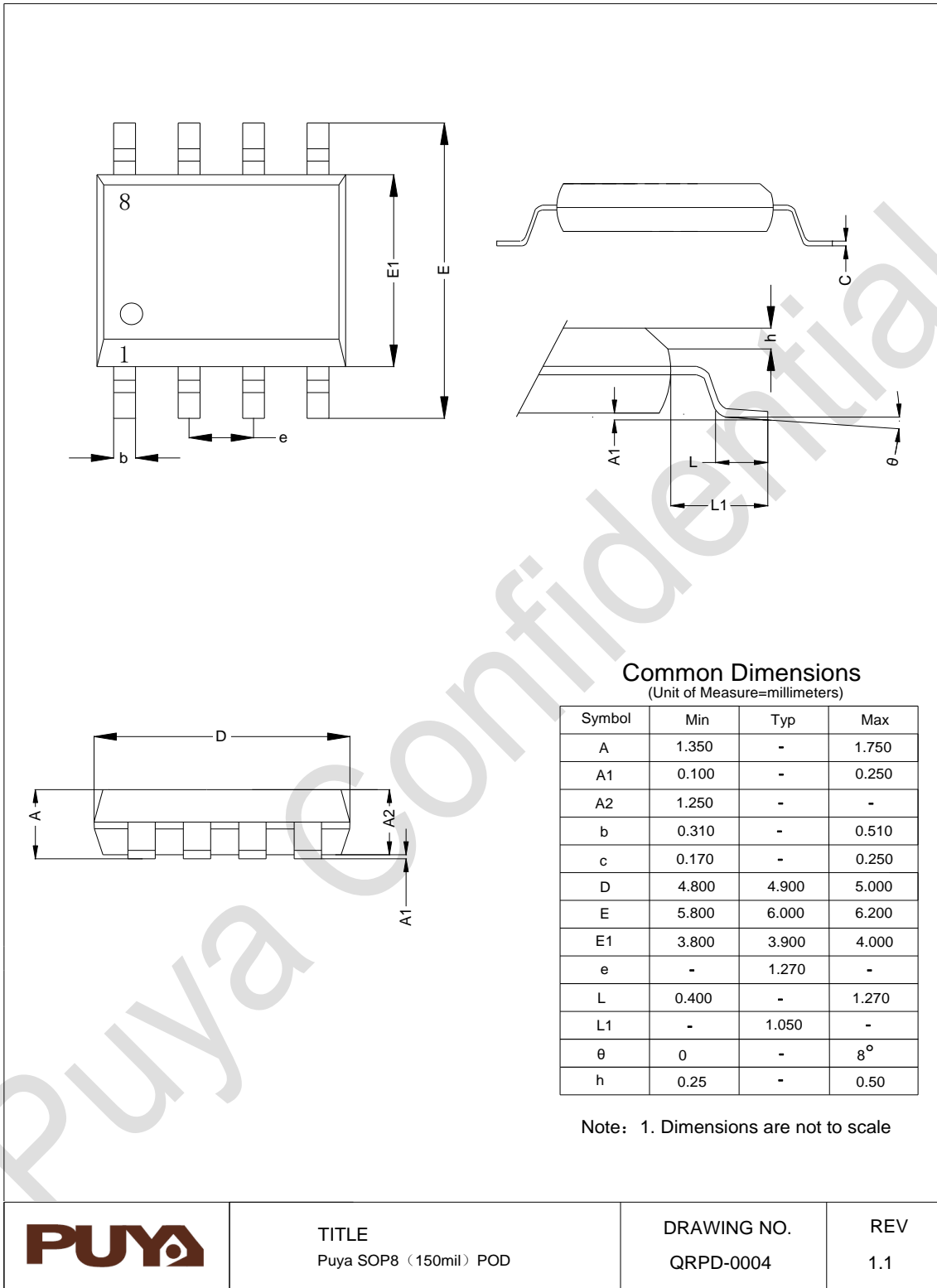
DRAWING NO.  
QRPD-0043

REV  
1.0

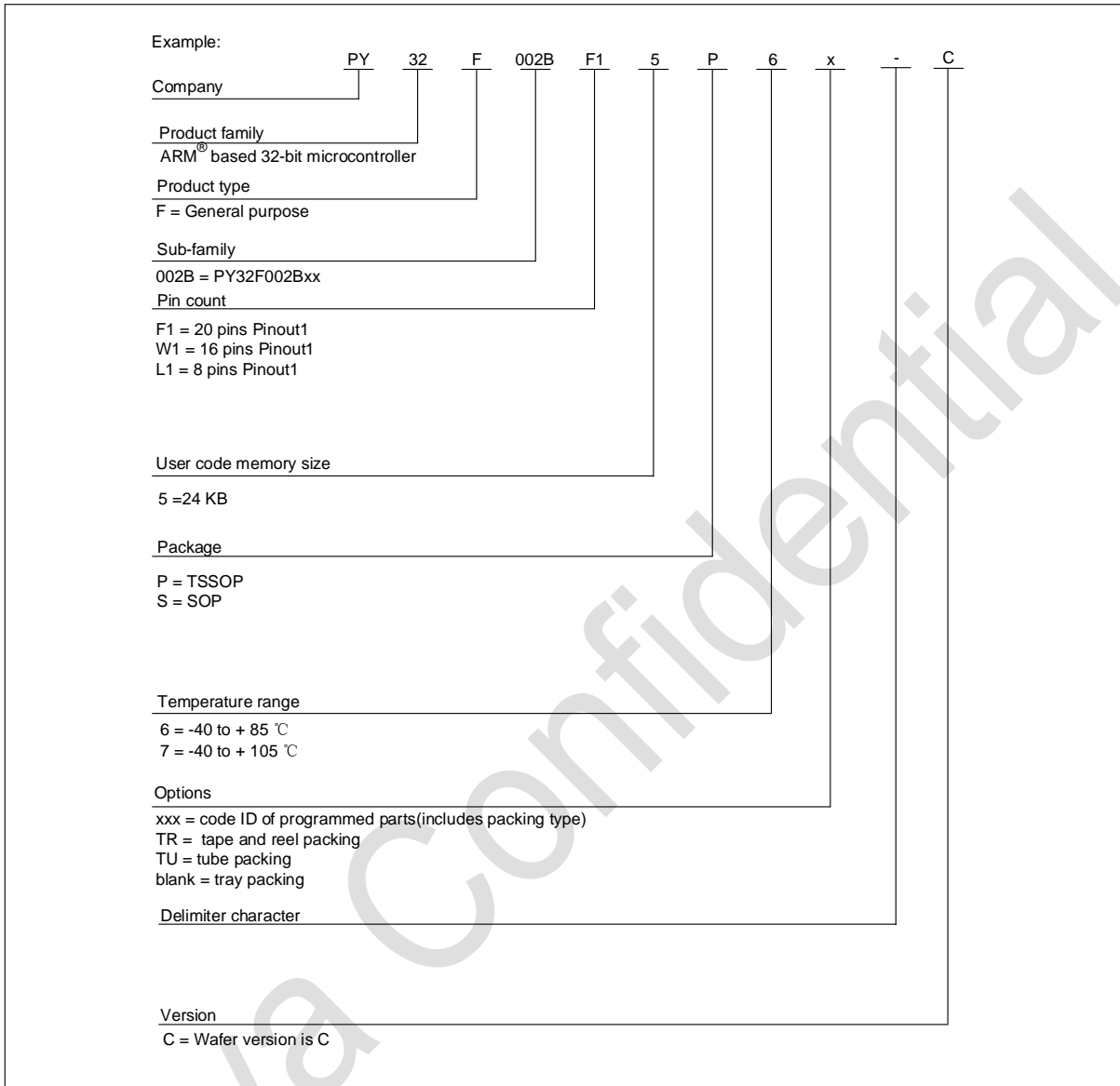
### 6.2. SOP16 package size



### 6.3. SOP8 package size



## 7. Ordering information





## 8. Version history

Version	Date	Descriptions
V1.0	2025.05.20	Initial version
V1.1	2025.06.24	Product definition change: Maximum operating frequency adjusted to 48 MHz.



Puya Semiconductor Co., Ltd.

### IMPORTANT NOTICE

Puya reserve the right to make changes, corrections, enhancements, modifications to Puya products and/or to this document at any time without notice. Purchasers should obtain the latest relevant information of Puya products before placing orders.

Puya products are sold pursuant to terms and conditions of sale in place at the time of order acknowledgement.

Purchasers are solely responsible for the choice and use of Puya products. Puya does not provide service support and assumes no responsibility when products that are used on its own or designated third party products.

Puya hereby disclaims any license to any intellectual property rights, express or implied.

Resale of Puya products with provisions inconsistent with the information set forth herein shall void any warranty granted by Puya.

Any with Puya or Puya logo are trademarks of Puya. All other product or service names are the property of their respective owners.

The information in this document supersedes and replaces the information in the previous version.

Puya Semiconductor Co., Ltd. – All rights reserved